

## Draka UC Connectivity

### Draka Cat 5e/6 Unscreened 1U/19" 24Port Modular Keystone Panel

Part Number – YPMBP03132



#### Overview

- Plastic Free Eco-Packaging – Pack of 1
- Choice of Category
- For Unscreened Cat5e/6 Keystone Jacks
- Supplied with Cage nuts/Screws & Nylon ties
- Metal Cable Management Support Bar
- Earth/Grounding point

#### Product Description

Draka Unscreened Modular Patch Panels are for use with either Cat5e/6 UTP Keystone jacks. Each panel is supplied with a rear metal cable management support bar to provide a solid and strong support to relieve cable stresses. The panel has screen printed port numbers with write on description labels for port identification, protected by a transparent cover for fast and easy labeling on site. For standards compliance to BS EN 50310 and BS EN 50174-1, the panel is provided with an earth/grounding point with star washer and screw supplied for an earth cable attachment.

#### Product Specification

Suitable for number of outlets / modules	24
Category	Dependant on Keystone jack
Number of rack units	1U
Panel material	SPCC
Colour	Black
Mounting type	19inch mounting
Height	44.45mm

© PRYSMIAN GROUP 2020, All Rights Reserved

All sizes and values without tolerances are reference values. Specifications are for product as supplied by Prysmian: any modification or alteration afterwards of product may give different result.

The information contained within this document must not be copied, reprinted or reproduced in any form, either wholly or in part, without the written consent of Prysmian. The information is believed to be correct at the time of issue. Prysmian reserves the right to amend this specification without prior notice. This specification is not contractually valid unless specifically authorised by Prysmian.

Width	482.60mm
Depth	124.85 with Management bar installed

## Standards Complied

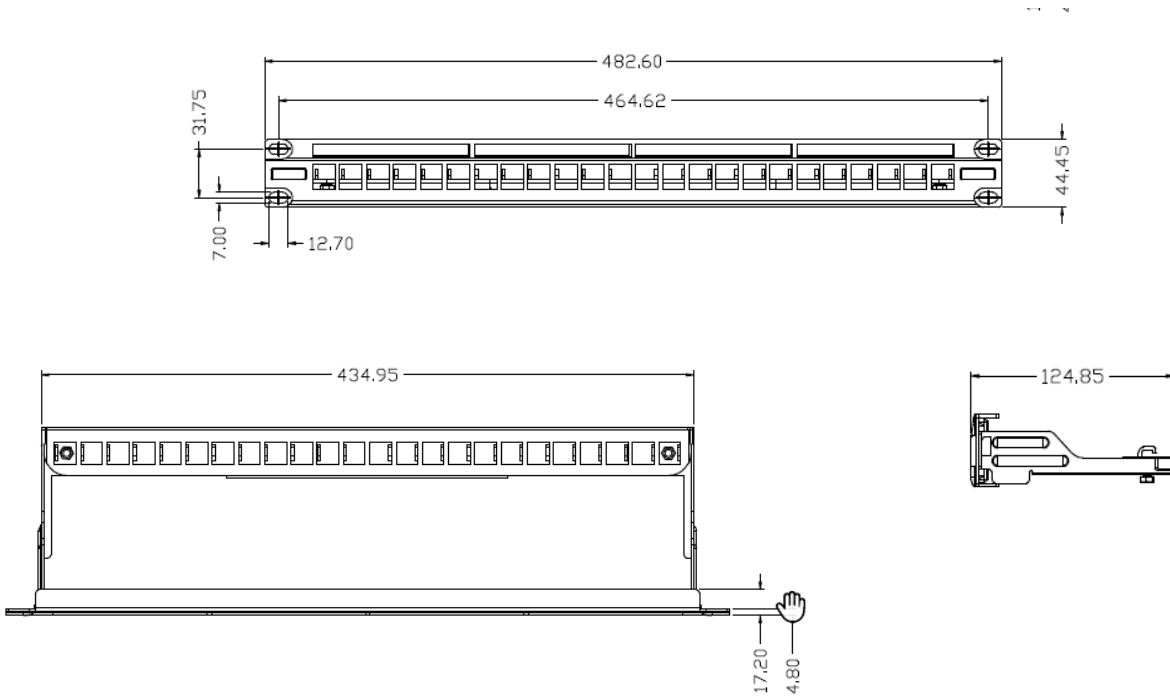
<b>ANSI/EIA-310-D</b>	Electronic Industries Association standard for horizontal spacing, vertical hole spacing, rack opening and front panel width
<b>IEC 60297-3-100</b>	Mechanical structures for electronic equipment - Dimensions of mechanical structures of the 482,6 mm (19 in) series - Part 3-100: Basic dimensions of front panels, subracks, chassis, racks and cabinets
<b>BS EN 50310:2016</b>	Telecommunications bonding networks for buildings and other structures
<b>RoHS</b>	Restriction of Hazardous Substances Directive 2011/65/EU & 2015/863/EU
<b>REACH</b>	Regulation (EC) No 1907/2006 - Registration, Evaluation, Authorisation and Restriction of Chemicals EC1907/2006

© PRYSMIAN GROUP 2020, All Rights Reserved

All sizes and values without tolerances are reference values. Specifications are for product as supplied by Prysmian: any modification or alteration afterwards of product may give different result.

The information contained within this document must not be copied, reprinted or reproduced in any form, either wholly or in part, without the written consent of Prysmian. The information is believed to be correct at the time of issue. Prysmian reserves the right to amend this specification without prior notice. This specification is not contractually valid unless specifically authorised by Prysmian.

## Product Drawings



© PRYSMIAN GROUP 2020, All Rights Reserved

All sizes and values without tolerances are reference values. Specifications are for product as supplied by Prysmian: any modification or alteration afterwards of product may give different result.

The information contained within this document must not be copied, reprinted or reproduced in any form, either wholly or in part, without the written consent of Prysmian. The information is believed to be correct at the time of issue. Prysmian reserves the right to amend this specification without prior notice. This specification is not contractually valid unless specifically authorised by Prysmian.