

Draka UC Connectivity

Draka Cat6a Screened Field Termination Plug – Silver

Part Number - YTPBP03444

Overview

- Plastic Free Eco-Packaging – Pack of 6
- Supports 10 Gigabit Ethernet
- Suitable for POE+ applications IEEE 802.3bt Type 4 4PPoE
- 90° IDC to Plug – Crimp
- Designed for connection to IP-enabled ethernet devices
- High quality die cast construction
- Supplied with RJ45 plug dust cover
- Independently Verified



Product Description

Draka Cat6a STP Field Termination Plugs are designed to meet and exceed Cat6a performance according to latest ISO and TIA standards. The fully shielded die-cast body of the field termination plug is robust, as well as offering outstanding performance in eliminating alien crosstalk. Ideal for termination of IP-enabled ethernet devices, such as surveillance cameras and building automation as part of a Modular Plug Terminated Link. Featuring a long release latch, allowing easy insertion and removal in confined spaces. The field termination plug allows flexibility, saving time and money onsite in installation, repairs and maintenance for a variety of applications.

Product Specification

Type of Connector	Field Termination Plug RJ45 8P8C
Category	Cat6a
Connection Type	Crimp
Colour	Silver
Supporting Cable Diameter	6.0 – 9.0mm
AWG Range Solid Core	22–26

© PRYSMIAN GROUP 2020, All Rights Reserved

All sizes and values without tolerances are reference values. Specifications are for product as supplied by Prysmian: any modification or alteration afterwards of product may give different result.

The information contained within this document must not be copied, reprinted or reproduced in any form, either wholly or in part, without the written consent of Prysmian. The information is believed to be correct at the time of issue. Prysmian reserves the right to amend this specification without prior notice. This specification is not contractually valid unless specifically authorised by Prysmian.

AWG Range Stranded Core	23~27
Width	12.10mm
Depth	47.00mm
Height	16.85mm
Suitable for cable types	Solid/Stranded Core / Round / S/FTP, F/FTP, U/FTP, F/UTP
Housing	Zinc Alloy
Plug Finish	Nickel Plate
RJ45 Plug Contacts	Phosphor Bronze with 50u" gold plating
IDC Contacts	Phosphor Bronze
Plug Insertion Cycle	Min 750 Insertions
Suitable Tool	Water pump pliers
Operating Temperature Range	-10°C to 60°C
Storage Temperature Range	-40°C to 70°C
Re-termination capability	5 times

Electrical Specification

Insulation Resistance	500MΩ
DC Current Rating	1.5A
DC resistance	0.1Ω max
Contact Resistance	20mΩ
Voltage proof, Contact to Contact	1000V DC
Voltage proof, Contact to Shield	1500V DC

© PRYSMIAN GROUP 2020, All Rights Reserved

All sizes and values without tolerances are reference values. Specifications are for product as supplied by Prysmian: any modification or alteration afterwards of product may give different result.

The information contained within this document must not be copied, reprinted or reproduced in any form, either wholly or in part, without the written consent of Prysmian. The information is believed to be correct at the time of issue. Prysmian reserves the right to amend this specification without prior notice. This specification is not contractually valid unless specifically authorised by Prysmian.

Standards Complied

ISO/IEC 11801-1:2017 (Ed 1.0)	Information technology - Generic cabling for customer premises: Part 1 General Requirements
ISO/IEC 11801-2: 2017 (Ed. 1.0)	Information technology — Generic cabling for customer premises — Part 2: Office premises
EN 50173-1:2018 (Ed 1.0)	Information technology. Generic cabling systems - General requirements
EN 50173-2:2018 (Ed 1.0)	Information technology. Generic cabling systems - Office premises
IEC 60603-7-51: 2010 (Ed. 2.0)	Connectors for electronic equipment - Detail specification for 8-way, shielded, free and fixed connectors, for data transmissions with frequencies up to 500 MHz
IEC 60512-99-002: 2019 (4PPoE)	Connectors for electrical and electronic equipment - Tests and measurements - Part 99-002: Endurance test schedules - Test 99b: Test schedule for unmating under electrical load
TIA-568.2-D: 2018	Balanced Twisted-Pair Telecommunications Cabling and Components Standards
UL1863	UL Standard for Safety Communications-Circuit Accessories
UL 2043	UL Standard for Safety Fire Test for Heat and Visible Smoke Release for Discrete Products and Their Accessories Installed in Air-Handling Spaces
RoHS	Restriction of Hazardous Substances Directive 2011/65/EU & 2015/863/EU
REACH	Regulation (EC) No 1907/2006 - Registration, Evaluation, Authorisation and Restriction of Chemicals EC1907/2006

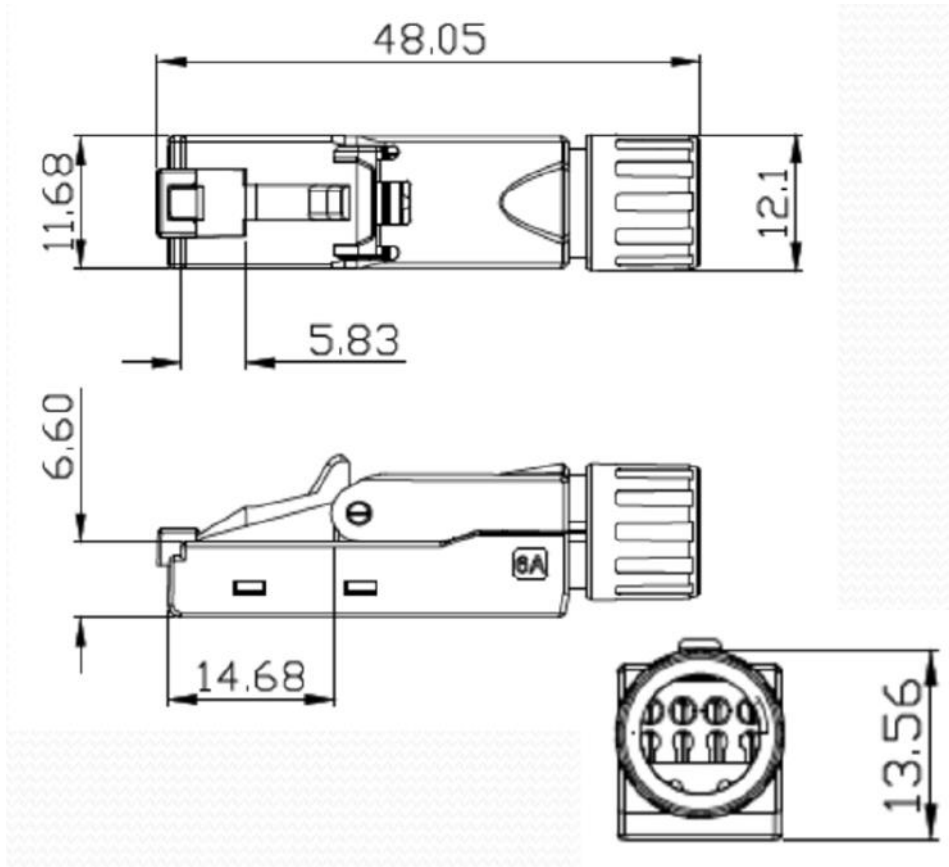
© PRYSMIAN GROUP 2020, All Rights Reserved

All sizes and values without tolerances are reference values. Specifications are for product as supplied by Prysmian: any modification or alteration afterwards of product may give different result.

The information contained within this document must not be copied, reprinted or reproduced in any form, either wholly or in part, without the written consent of Prysmian. The information is believed to be correct at the time of issue. Prysmian reserves the right to amend this specification without prior notice. This specification is not contractually valid unless specifically authorised by Prysmian.

Draka UC Connectivity

Product Drawings



© PRYSMIAN GROUP 2020, All Rights Reserved

All sizes and values without tolerances are reference values. Specifications are for product as supplied by Prysmian: any modification or alteration afterwards of product may give different result.

The information contained within this document must not be copied, reprinted or reproduced in any form, either wholly or in part, without the written consent of Prysmian. The information is believed to be correct at the time of issue. Prysmian reserves the right to amend this specification without prior notice. This specification is not contractually valid unless specifically authorised by Prysmian.