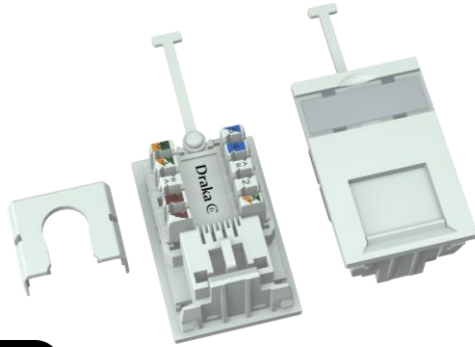


## Draka UC Connectivity

### Draka Cat6 Unscreened Slim Line LJ6C Module – White

Part Number – YMOBP03123



#### Overview

- Plastic Free Eco-Packaging – Pack of 24
- Supports Gigabit Ethernet
- Low profile design – Only 19mm deep
- For use in floor box installations
- Built in slide label system
- 110/LSA Plus style punch down
- Supplied with IDC cap and nylon cable tie



#### Product Description

Draka Cat6 UTP LJ6C Modules are designed to meet and exceed Cat6 performance according to latest ISO and TIA standards. Each shuttered module is supplied with a slide label field, this allows for write on port identification or for use of self-adhesive labelling. The low-profile shuttered module is integrated with a cable support fixing point at both ends, this allows for the data cable to be fixed from either bottom or top direction to provide cable stress relief. LJ6C (6C) modules are ideal for use in floor box installations in conjunction with a suitable floor box cut-out plate.

#### Product Specification

Surface Mounted	Yes (Faceplate Required)
Flush Mounted (plaster)	Yes (Faceplate Required)
Floor box/sub-floor mounted	Yes (cut-out plate or faceplate required)
Type of fastening	Engage (snap)
Type of Connector	Jack RJ45 8P8C
Category	Cat6
Connection Type	110 / LSA-PLUS

© PRYSMIAN GROUP 2020, All Rights Reserved

All sizes and values without tolerances are reference values. Specifications are for product as supplied by Prysmian: any modification or alteration afterwards of product may give different result.

The information contained within this document must not be copied, reprinted or reproduced in any form, either wholly or in part, without the written consent of Prysmian. The information is believed to be correct at the time of issue. Prysmian reserves the right to amend this specification without prior notice. This specification is not contractually valid unless specifically authorised by Prysmian.

Colour	White
AWG Range	23 - 26
Width	24.96mm
Depth	18.90mm
Height	38.75mm
Suitable for cable types	Solid Core / Round
Housing	ABS High Impact
RJ45 Contact	Phosphor Bronze with 50u" gold plating
IDC Contacts	Phosphor Bronze with Tin plated
Plug Insertion Life	Min 750 Insertions
Contact Force	100 Grams with FCC Compliant Plug
Plug Retention Force	50N (11lbs) for 60s ±5s
Suitable Tool	110 or LSA punch down style tool
Operating Temperature Range	-10°C to 60°C
Storage Temperature Range	-40°C to 70°C

## Electrical Specification

Insulation Resistance	500MΩ
Dielectric Withstanding Voltage	1000V AC
DC Current Rating	1.5A
DC resistance	0.1Ω max
Contact Resistance	20mΩ

© PRYSMIAN GROUP 2020, All Rights Reserved

All sizes and values without tolerances are reference values. Specifications are for product as supplied by Prysmian: any modification or alteration afterwards of product may give different result.

The information contained within this document must not be copied, reprinted or reproduced in any form, either wholly or in part, without the written consent of Prysmian. The information is believed to be correct at the time of issue. Prysmian reserves the right to amend this specification without prior notice. This specification is not contractually valid unless specifically authorised by Prysmian.

## Standards Complied

<b>ISO/IEC 11801-1:2017 (Ed 1.0)</b>	Information technology - Generic cabling for customer premises: Part 1 General Requirements
<b>ISO/IEC 11801-2: 2017 (Ed. 1.0)</b>	Information technology — Generic cabling for customer premises — Part 2: Office premises
<b>EN 50173-1:2018 (Ed 1.0)</b>	Information technology. Generic cabling systems - General requirements
<b>EN 50173-2:2018 (Ed 1.0)</b>	Information technology. Generic cabling systems - Office premises
<b>IEC 60603-7-4: 2010 (Ed. 2.0)</b>	Connectors for electronic equipment - Detail specification for 8-way, unshielded, free and fixed connectors, for data transmissions with frequencies up to 250 MHz
<b>IEC 60512-99-002: 2019 (4PPoE)</b>	Connectors for electrical and electronic equipment - Tests and measurements - Part 99-002: Endurance test schedules - Test 99b: Test schedule for unmating under electrical load
<b>TIA-568.2-D: 2018</b>	Balanced Twisted-Pair Telecommunications Cabling and Components Standards
<b>RoHS</b>	Restriction of Hazardous Substances Directive 2011/65/EU & 2015/863/EU
<b>REACH</b>	Regulation (EC) No 1907/2006 - Registration, Evaluation, Authorisation and Restriction of Chemicals EC1907/2006

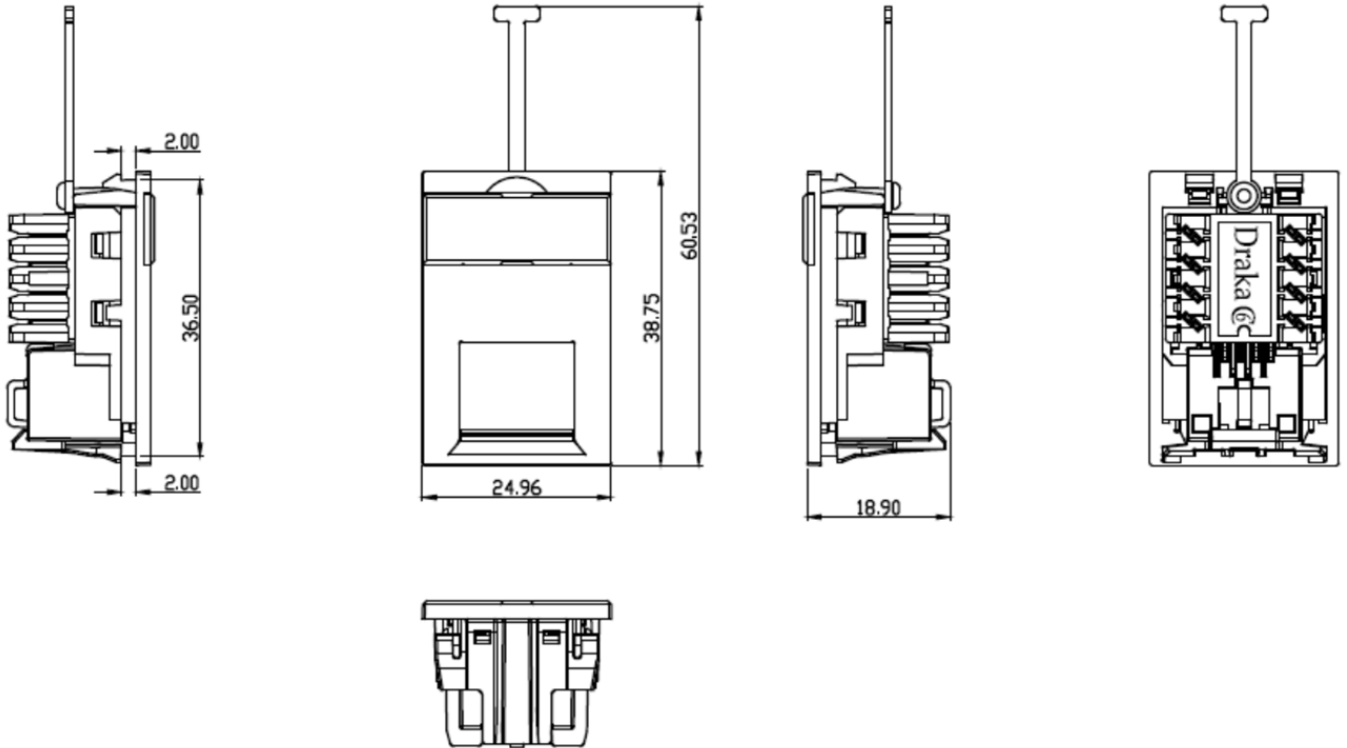
© PRYSMIAN GROUP 2020, All Rights Reserved

All sizes and values without tolerances are reference values. Specifications are for product as supplied by Prysmian: any modification or alteration afterwards of product may give different result.

The information contained within this document must not be copied, reprinted or reproduced in any form, either wholly or in part, without the written consent of Prysmian. The information is believed to be correct at the time of issue. Prysmian reserves the right to amend this specification without prior notice. This specification is not contractually valid unless specifically authorised by Prysmian.

## Draka UC Connectivity

### Product Drawings



© PRYSMIAN GROUP 2020, All Rights Reserved

All sizes and values without tolerances are reference values. Specifications are for product as supplied by Prysmian: any modification or alteration afterwards of product may give different result.

The information contained within this document must not be copied, reprinted or reproduced in any form, either wholly or in part, without the written consent of Prysmian. The information is believed to be correct at the time of issue. Prysmian reserves the right to amend this specification without prior notice. This specification is not contractually valid unless specifically authorised by Prysmian.