

MECH SEAL - SPANNER USER GUIDE

KIT CONTENTS

ITEM No.:	PART No.:	DESCRIPTION	QTY
1	XJTSG01792	MECH SEAL – GLAND TIGHTENING TOOL	x1



1

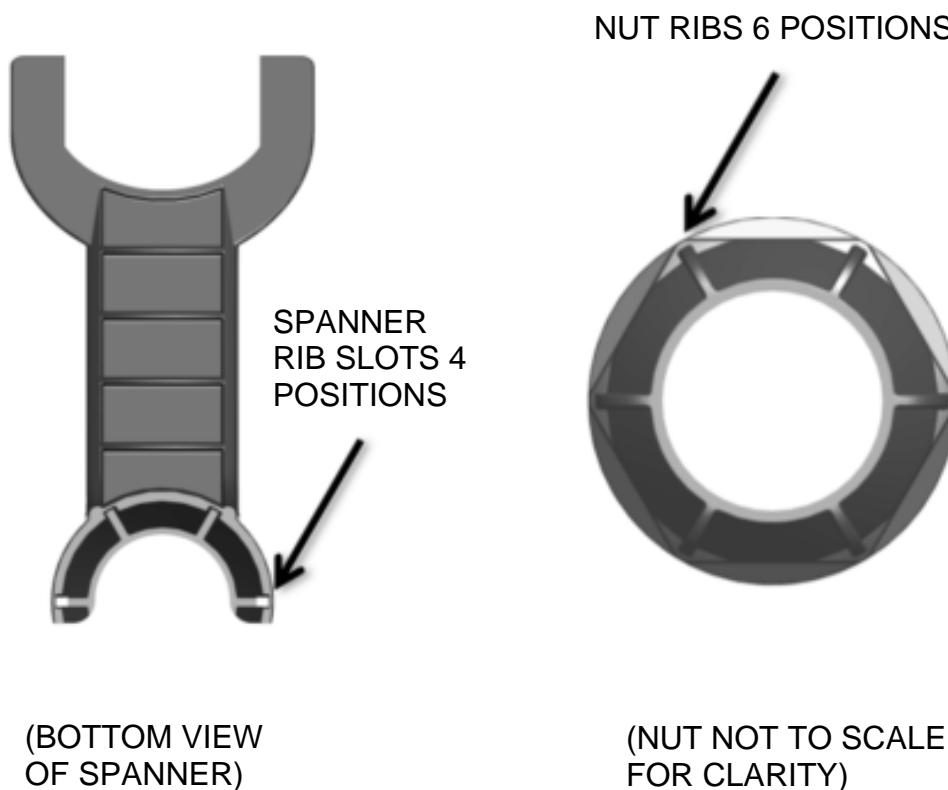
SPANNER LOCATION END

NUT LOCATION END

NUT LOCATION END USER GUIDE

Step 1

TO TIGHTEN OR UNTIGHTEN THE MECH SEAL GLAND NUT USING THE NUT LOCATION END FIRST LOCATE THE RIBS ON THE NUT AND THE RIB SLOTS ON THE SPANNER.

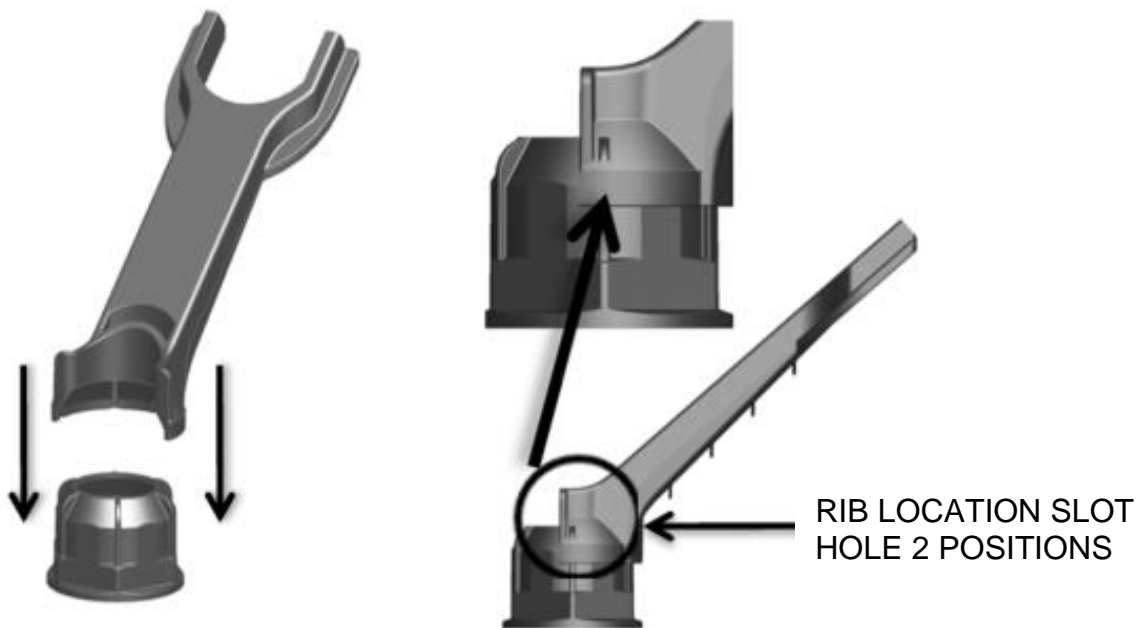


NUT LOCATION END USER GUIDE

Step 2

ALIGN THE NUT LOCATION END OF THE SPANNER WITH THE MECH SEAL GLAND NUT. CHECK THE 2 RIB LOCATION HOLES IN SPANNER FOR CORRECT ALIGNMENT.

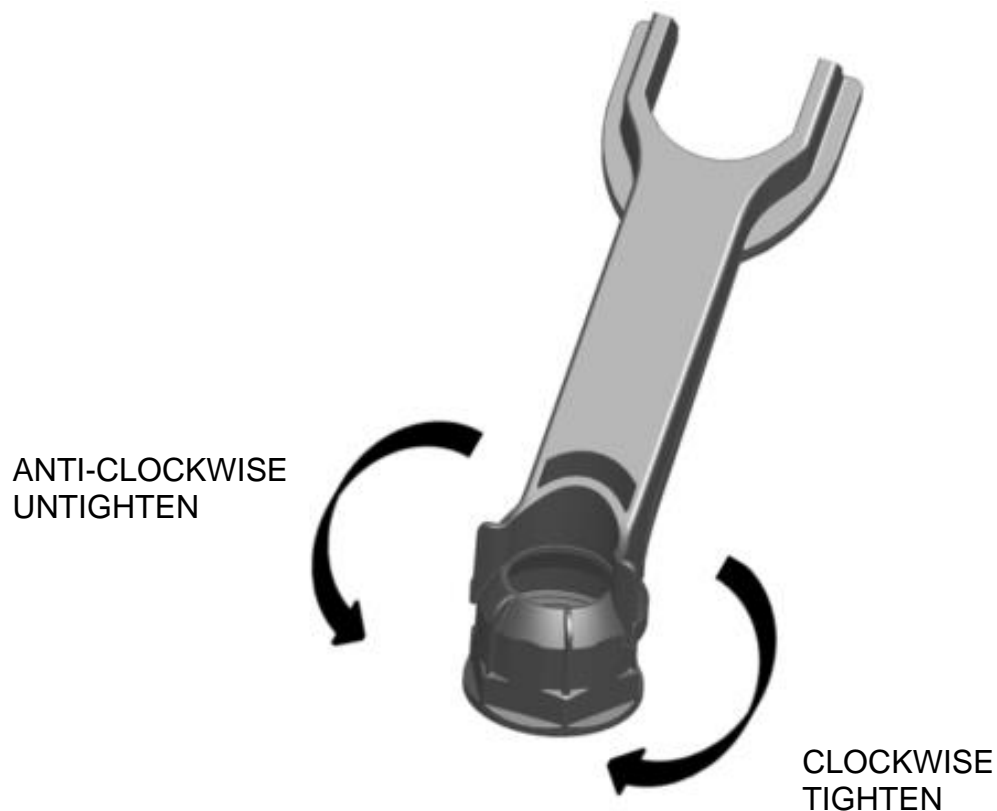
NOTE: ALIGN ANY OF THE 6 RIBS ON THE NUT WITH THE 4 RIB SLOTS ON THE SPANNER. ENSURE ALL 4 OF THE RIB SLOTS ARE FILLED.



NUT LOCATION END USER GUIDE

Step 3

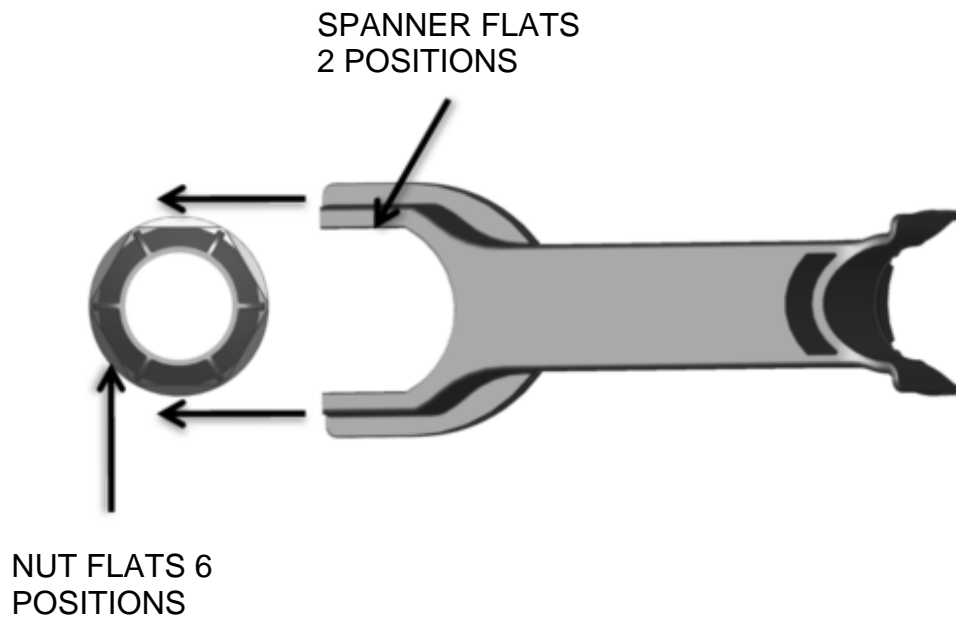
SLIDE THE 4 SPANNER RIB SLOTS OVER ANY 4 OF THE NUT RIBS. WHILST KEEPING CLOSE CONTACT TURN THE SPANNER CLOCKWISE TO TIGHTEN OR ANTI-CLOCKWISE TO UNTIGHTEN.



SPANNER LOCATION USER GUIDE

Step 1

TO TIGHTEN OR UNTIGHTEN THE MECH SEAL GLAND NUT USING THE SPANNER LOCATION END AND LOCATE THE FLATS ON BOTH THE SPANNER AND THE NUT.



SPANNER LOCATION USER GUIDE

Step 2

SLIDE THE SPANNER OVER THE FLATS OF THE NUT AND TURN THE SPANNER CLOCKWISE TO TIGHTEN OR ANTI-CLOCKWISE TO UNTIGHTEN.

