

Dual Oval BFT Port Gland Installation Instruction

Description

This kit is used to install a 2 Tube BF cable into the TM node series only.

Tools & Additional Items Required

Tools:

- Cable Sheath Stripper
- Fibre stripping tools
- Large Screwdriver

Component Parts (pictures not to scale)

<p>1 Gland Kit Qty 1</p>	<p>2 Blanking Plug Qty 1</p> <p>And 2 Blind Plugs 5mm Qty 2</p>	<p>3 Installation Guide Qty 1</p>
		

Dual Oval BFT Port Gland Installation

Step 1

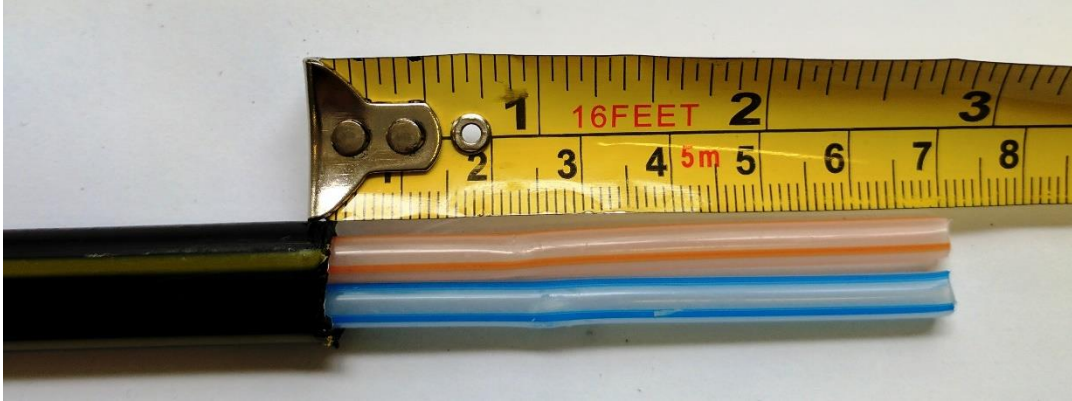


- Remove port blank from base by squeezing together the tabs from inside the base.
- Using your other hand or pliers, hold the central rib and firmly pull until the port blank is released.

NOTE: YOU MAY NEED TO ROTATE THE BLANK IN THE PORT TO SQUEEZE THE TABS.

Dual Oval BFT Port Gland Installation

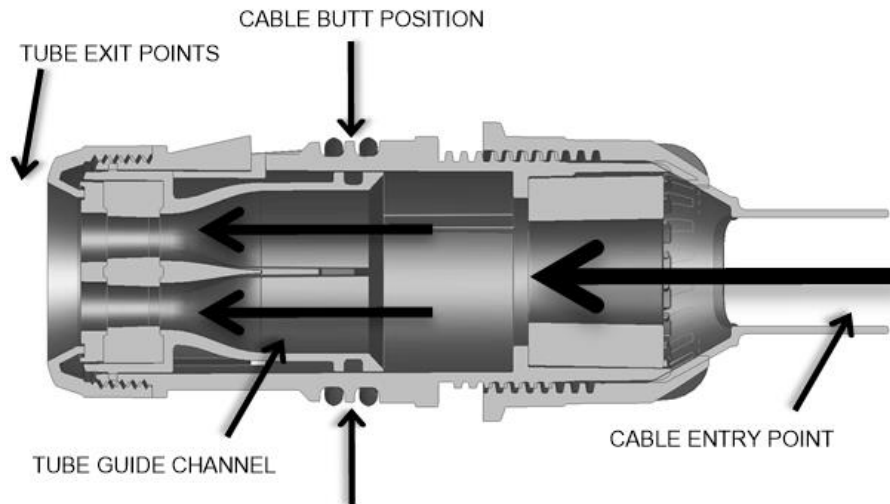
Step 2



- Route sufficient the cable around the footway box.
- Strip the sheath to expose the two tubes.
- Cut the tubes to 70mm from the cable butt.

Dual Oval BFT Port Gland Installation

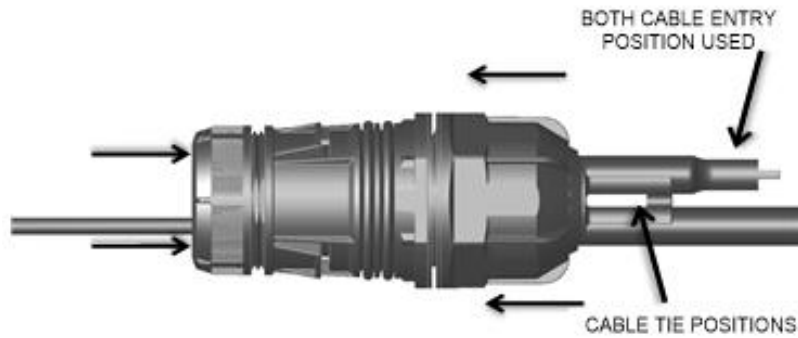
Step 3



- Feed the tubes into the gland by ensuring the two tubes match up with the two closest tube guide channels to the cable entry seal position.
- Once aligned continue to push through until the cable butt stops.

Dual Oval BFT Port Gland Installation

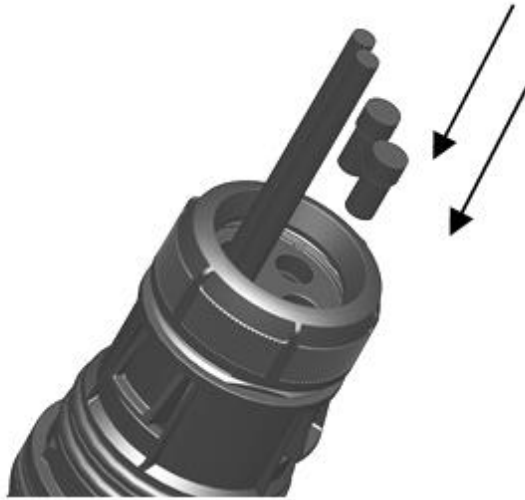
Step 4



- Cable-tie the cable to the torsion piece.
- If only installing one cable, ensure to fill the second cable position with a blind plug.

Dual Oval BFT Port Gland Installation

Step 5



- Insert blind plugs into the two unused positions of the interstices seal.

Dual Oval BFT Port Gland Installation

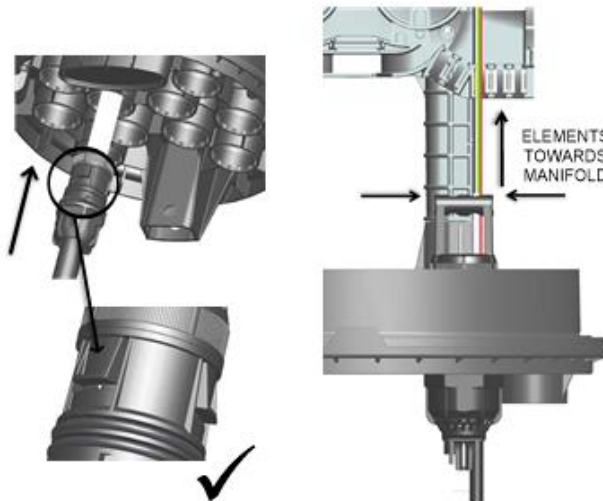
Step 6



- Tighten the medium nut towards the gland body and tighten until it bottoms out on the spacer.
- Tighten the interstices nut towards the gland body.

Dual Oval BFT Port Gland Installation

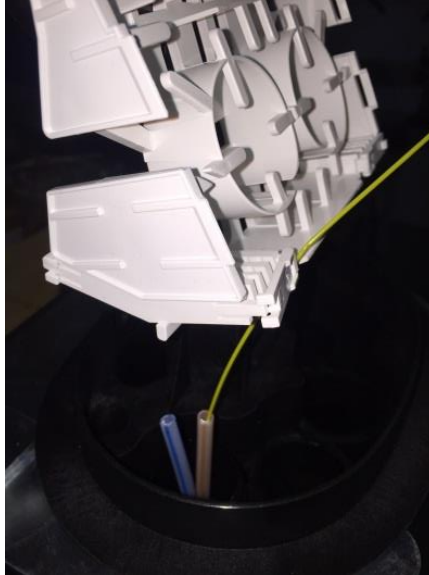
Step 7



- Feed the tubes through the port of the base and orientate the gland and push into the base.
- Once resistance on O-ring is felt, continue pushing with a twisting action until an audible click is heard.
- Visually check from inside the base that all 3 clips are secured into the based.

Dual Oval BFT Port Gland Installation

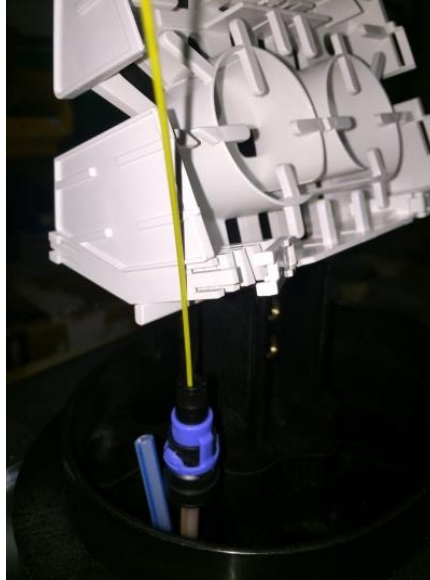
Step 8



- Install the fibre unit into the appropriate tube using approved practices.

Dual Oval BFT Port Gland Installation

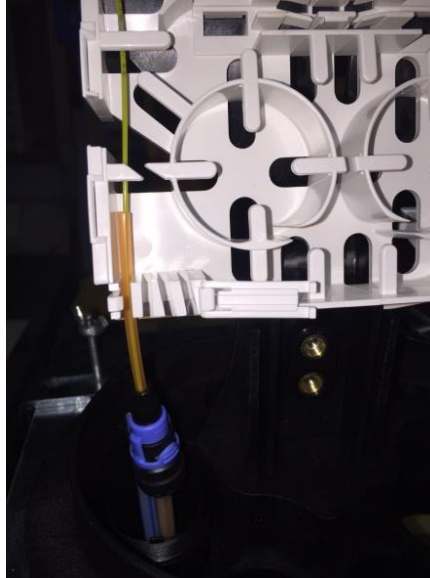
Step 9



- Feed a water block connector (BT Item Code - 006848 Blown Fibre Tube 5mm to 3mm water block connector) over the fibre unit and plug onto the tube.
- Install the fibre unit into the appropriate tube using approved practices.

Dual Oval BFT Port Gland Installation

Step 10



- Cut a length of transport tube (BT Item Code - 076030 OTIAN Transportation Tube 3.1mm) from the top of the connector to approximately 20mm inside the manifold as shown above.
- Oversleeve the fibre unit with the transport tube and plug the tube into the top end of the connector.
- Slide the tube into the track of the manifold.

Dual Oval BFT Port Gland Installation

Step 11



- Strip the fibre unit and run it up the raceway of the joint to the appropriate splice tray.
- Follow the appropriate installation guide for the closure.

Dual Oval BFT Port Gland Installation

Step 12



- Fit a tube end cap (BT Item Code - 075146 Blown Fibre Tube 5mm end cap) over the unused tube.

Dual Oval BFT Port Gland Installation

Step 13



- Replace the manifold cover by clipping into place.

Adding a second cable

Step 14



- Loosen the medium nut away from the gland body.
- Loosen the interstices nut away from the gland body.

Adding a second cable

Step 15



- Remove blind plugs and discard.

Adding a second cable

Step 16

FOLLOW STEPS 2, 3 & 4

- Follow steps 2, 3 and 4 for cable and tube preparation and inserting the cable.

Adding a second cable

Step 17



- Tighten the medium nut towards the gland body and tighten until it bottoms out on the spacer.
- Tighten the interstices nut towards the gland body.

Adding a second cable

Step 18

FOLLOW STEPS 8 TO 13

- Follow step 8 to 13 for fibre routing and water block connections.