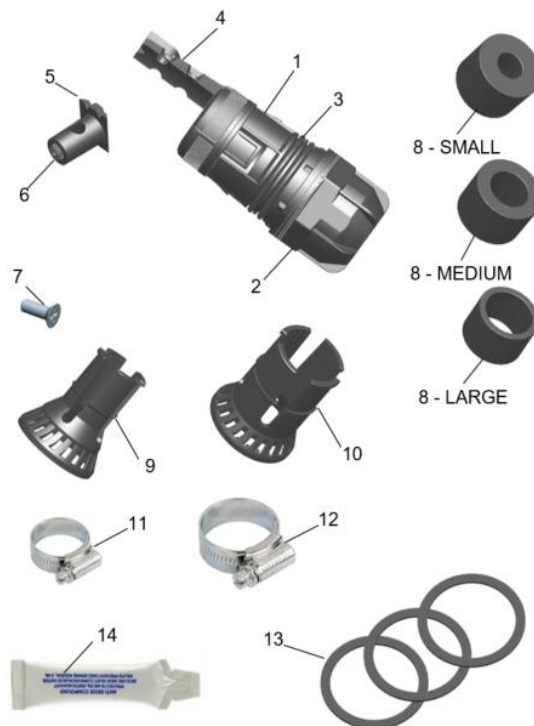


MECH SEAL – SINGLE WAY GLAND INSTALLATION GUIDE

KIT CONTENTS

ITEM No.:	DESCRIPTION	QTY
1	MEDIUM BODY SEALING GLAND	x1
2	MEDIUM NUT	x1
3	O-RING BS124 NITRILE	x2
4	STRENGTH MEMBER RETENTION BRACKET	x1
5	STRENGTH MEMBER RETENTION BOSS	x1
6	GRUB SCREW	x1
7	M4 x 12mm CSK POZI PAN SCREW	x1
8	SINGLE WAY CABLE SEAL	x1
9	ANTI-TORSION CLAMP – SMALL	x1
10	ANTI-TORSION CLAMP – LARGE	x1
11	JUBILEE CLIP 8-16mm – SMALL	x1
12	JUBILEE CLIP 16-27mm – LARGE	x1
13	SPACERS	x3
14	GREASE SACHET	x1



MECH SEAL – SINGLE WAY GLAND INSTALLATION GUIDE

Step 1

REMOVE PORT BLANK FROM BASE BY FULLY SQUEEZING TOGETHER THE TABS FROM INSIDE THE BASE.

NOTE: YOU MAY NEED TO ROTATE THE BLANK IN THE PORT TO SQUEEZE THE TABS.

USING YOUR OTHER HAND OR PLIERS, HOLD THE CENTRAL RIB AND FIRMLY PULL UNTIL THE PORT BLANK IS RELEASED.



MECH SEAL – SINGLE WAY GLAND INSTALLATION GUIDE

Step 2

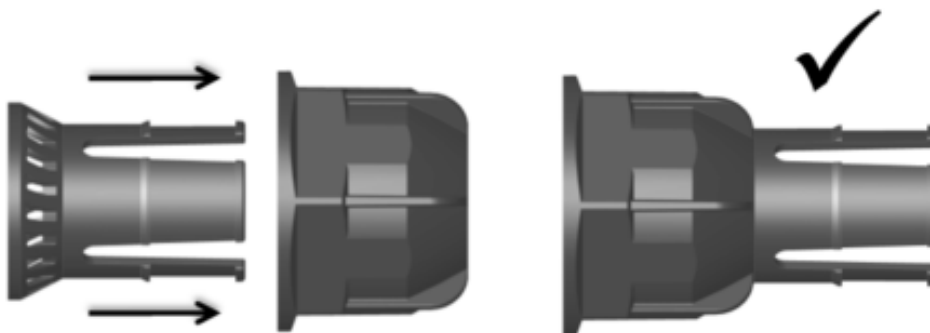
IDENTIFY THE CABLE DIAMETER AND USING THE TABLE BELOW SELECT THE CORRECT CABLE SEAL, JUBILEE CLIP, ANTI-TORSION CLAMP AND THE NUMBER OF SPACERS REQUIRED.

CABLE \varnothing	SEAL SIZE (8)	CABLE RANGE	SPACERS (13)	ANTI-TORSION SIZE & JUBILEE CLIP SIZE
7mm - 10.9mm	SMALL SEAL XJTSG01774	7-8mm	0	SMALL (10 & 12)
		8-9mm	1	SMALL (10 & 12)
		9-10mm	2	SMALL (10 & 12)
		10-10.9mm	3	SMALL (10 & 12)
11mm – 16.4mm	MEDIUM SEAL XJTSG01773	11-12mm	0	SMALL (10 & 12)
		12-13mm	1	SMALL (10 & 12)
		13-14mm	2	SMALL (10 & 12)
		14-16.4mm	3	SMALL (11 & 13)
16.5mm – 20mm	LARGE SEAL XJTSG01557	16.5-17mm	0	LARGE (11 & 13)
		17-18mm	1	LARGE (11 & 13)
		18-19mm	2	LARGE (11 & 13)
		19-20mm	3	LARGE (11 & 13)

MECH SEAL – SINGLE WAY GLAND INSTALLATION GUIDE

Step 3

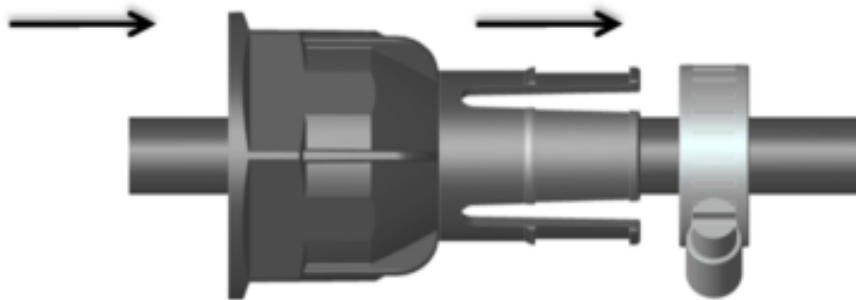
REMOVE THE MEDIUM NUT (2) FROM THE GLAND ASSEMBLY AND INSERT THE CORRECT ANTI-TORSION CLAMP (9 OR 10) AS SHOWN BELOW.



MECH SEAL – SINGLE WAY GLAND INSTALLATION GUIDE

Step 4

SLIDE THE JUBILEE CLIP (11 OR 12) OVER THE CABLE END FIRST. THEN SLIDE THE MEDIUM NUT (2) AND ANTI-TORSION CLAMP (9 OR 10) OVER THE CABLE END (FITTED TOGETHER).



MECH SEAL – SINGLE WAY GLAND INSTALLATION GUIDE

Step 5

INSERT THE SEAL (8) INTO THE GLAND ASSEMBLY (1) AS SHOWN.



MECH SEAL – SINGLE WAY GLAND INSTALLATION GUIDE

Step 6

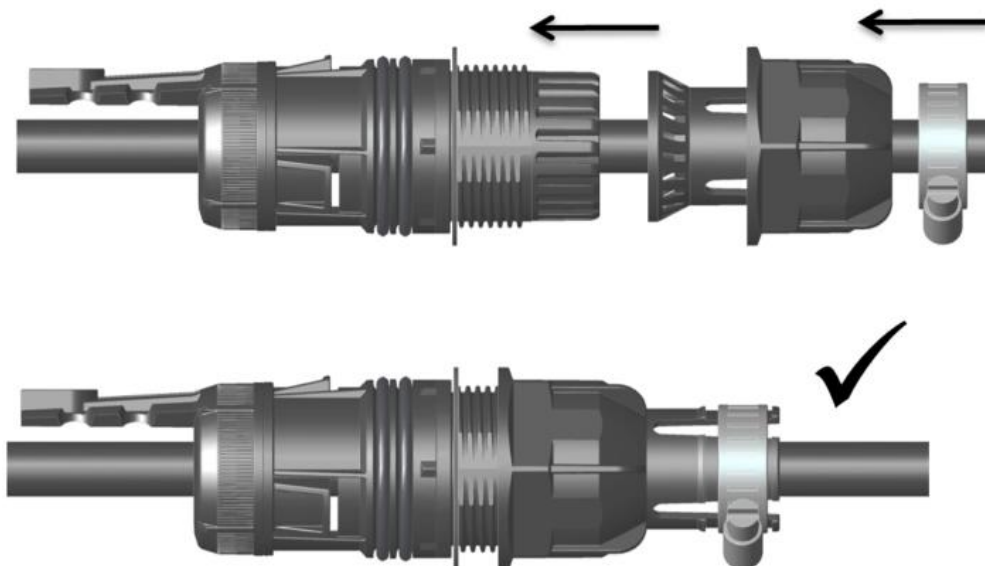
FIT THE REQUIRED NUMBER OF SPACERS (13) OVER THE THREAD OF THE GLAND BODY ASSEMBLY (1).



MECH SEAL – SINGLE WAY GLAND INSTALLATION GUIDE

Step 7

SLIDE THE GLAND ASSEMBLY (1) ONTO THE CABLE AND PUSH THROUGH APPROXIMATELY 2.2m OF CABLE. LOOSELY TIGHTEN THE MEDIUM NUT (2) BACK ONTO THE GLAND BODY AND LOOSELY TIGHTEN JUBILEE CLIP (11 OR 12) ONTO THE ANTI-TORSION CLAMP (9 OR 10).

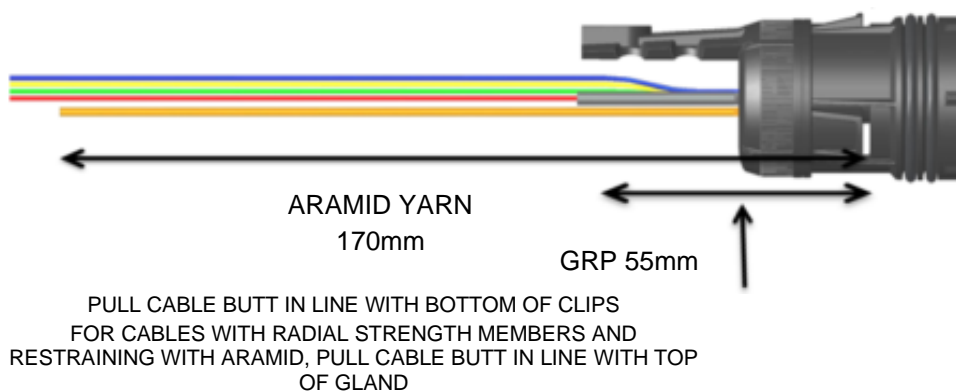


MECH SEAL – SINGLE WAY GLAND INSTALLATION GUIDE

Step 8

STRIP CABLE BACK 2m (CMJ, MMJ) or 3m (LMJ) EXPOSING THE ELEMENTS, GRP AND ARAMID YARN IF APPLICABLE. MEASURE FROM THE CABLE BUTT AND CUT THE GRP TO 55mm AND CUT THE ARAMID YARN TO 170mm.

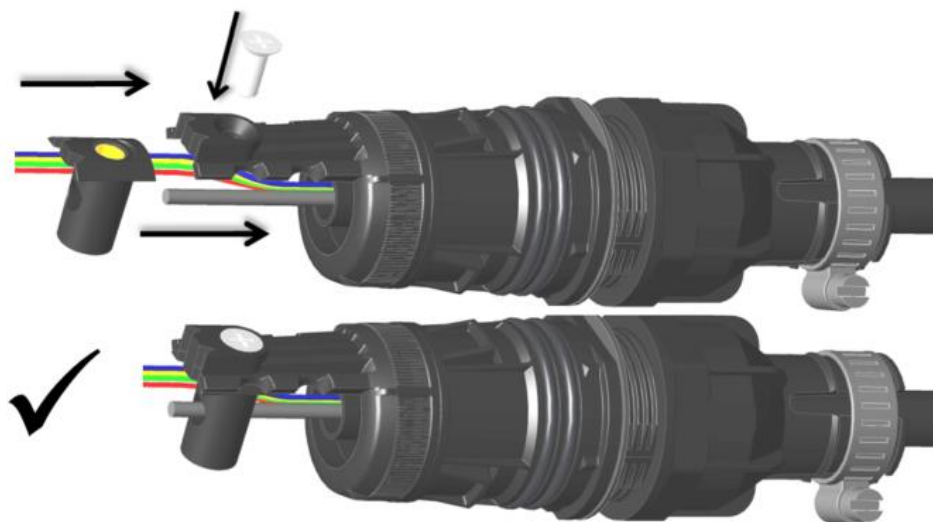
APPLY GREASE (14) ALONG CABLE SHEATH FROM THE BUTT BACK 200mm & PULL CABLE BACK UNTIL BUTT ENDS UP IN POSITION SHOWN.



MECH SEAL – SINGLE WAY GLAND INSTALLATION GUIDE

Step 9

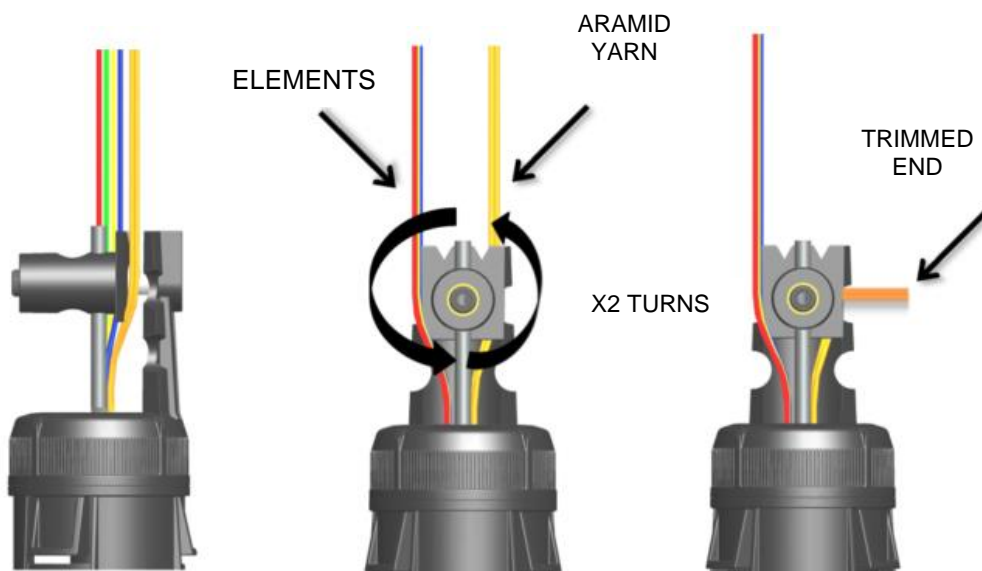
GENTLY PULL ELEMENTS TO ONE SIDE. SLIDE RETENTION BOSS (5) OVER GRP AND LINE UP THE SCREW HOLE. SECURE RETENTION BOSS (5) TO THE RETENTION BRACKET (4) USING SCREW (7). ENSURE THE GROOVES LINE UP AT THE TOP. IF THE CABLE HAS ARAMID YARN SEE NOTE 10. EVENLY SPREAD THE ELEMENTS AROUND THE BOSS IN THE NATURAL DIRECTION OF THE MANIFOLD RETENTION AREA.



MECH SEAL – SINGLE WAY GLAND INSTALLATION GUIDE

Step 10

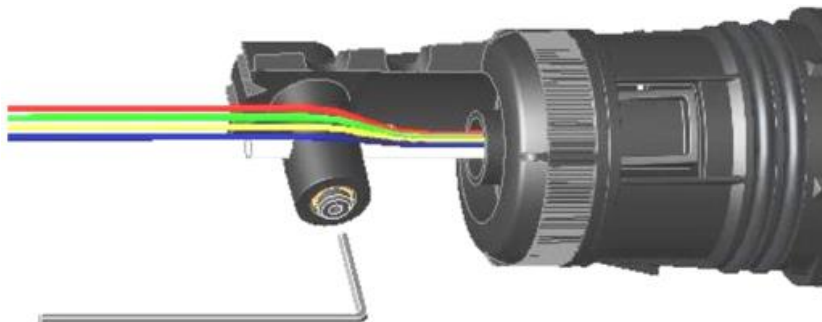
IF THE CABLE HAS ARAMID, GENTLY PULL ELEMENTS TO ONE SIDE AND LOOSELY FASTEN THE RETENTION BOSS (5) USING THE SCREW (7) AND SEPARATE THE ARAMID FROM THE ELEMENTS. WRAP THE ARAMID YARN AROUND THE SCREW X2 TURNS AND FINISH THE SECOND TURN WITH THE ARAMID FACING OUT TO THE SIDE AS SHOWN BELOW AND TIGHTEN THE SCREW (7) TO THE RETENTION BOSS (5) USING A SCREWDRIVER. TRIM EXCESS ARAMID. EVENLY SPREAD THE ELEMENTS AROUND THE BOSS IN THE NATURAL DIRECTION OF THE MANIFOLD RETENTION AREA.



MECH SEAL – SINGLE WAY GLAND INSTALLATION GUIDE

Step 11

TIGHTEN THE GRUB SCREW (6) ONTO THE GRP USING 2 mm ALLEN KEY. DO NOT OVER TIGHTEN.

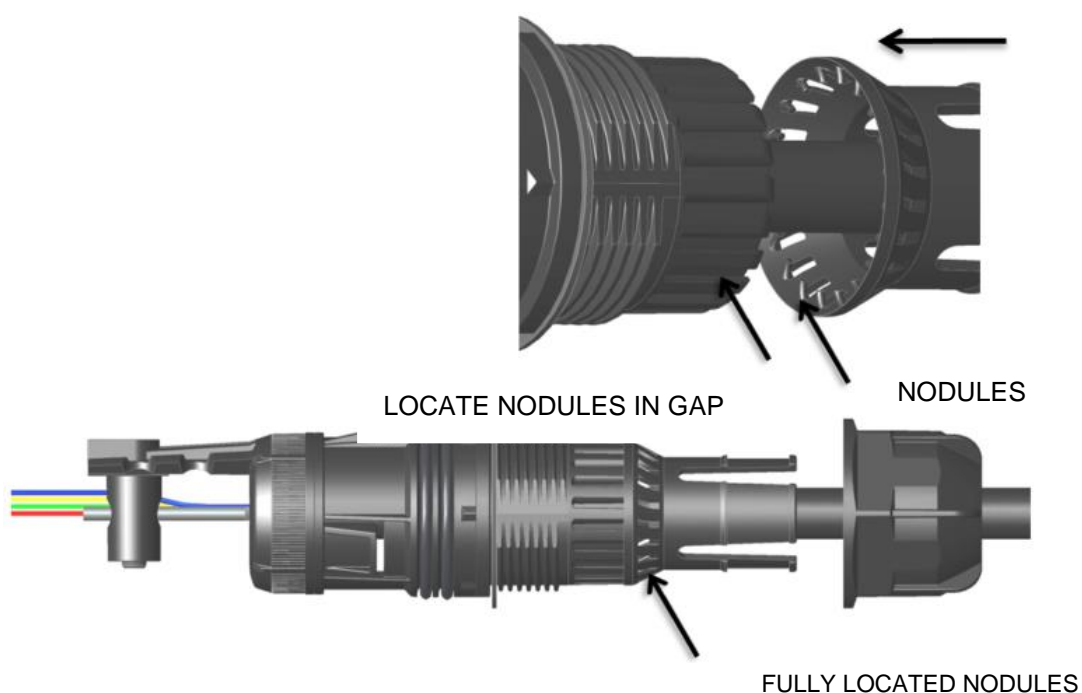


MECH SEAL – SINGLE WAY GLAND INSTALLATION GUIDE

Step 12

ENSURE THE SINGLE SEAL (8) IS FULLY INSERTED INTO GLAND BODY (1). LOCATE THE ANTI-TORSION CLAMP (9 OR 10) NODULES AND PUSH THE CLAMP ONTO THE SEAL SO THE ANTI-TORSION CLAMP CANNOT ROTATE.

**NOTE: DO NOT FORCEFULLY ROTATE THE CLAMP.
IF THE ANTI-TORSION CLAMP ROTATES, IT HAS NOT BEEN LOCATED CORRECTLY.**



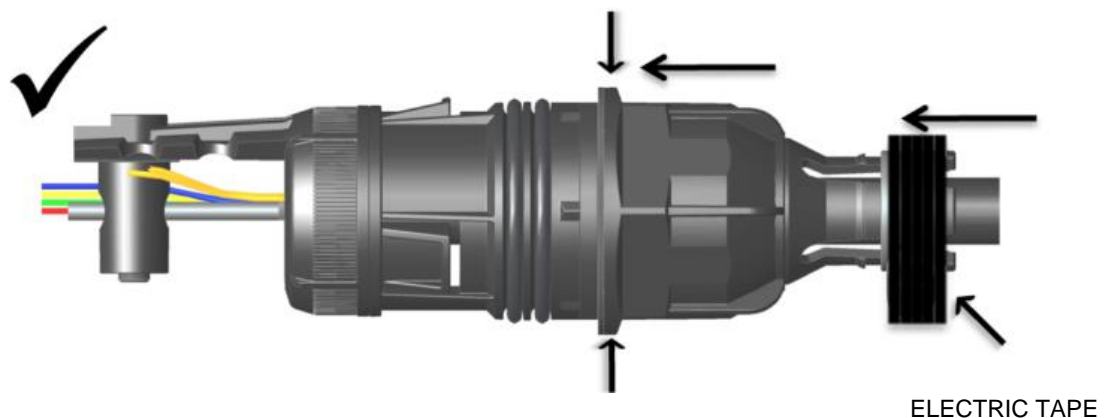
MECH SEAL – SINGLE WAY GLAND INSTALLATION GUIDE

Step 13

SLIDE THE MEDIUM NUT (2) OVER THE ANTI-TORSION CLAMP AND SCREW THE NUT DOWN UNTIL ALL THE SURFACES MATE. ENSURE THE ANTI-TORSION CLAMP STAYS LOCATED BY PUSHING DOWN ON THE END WHILST IN POSITION. USING JUBLIEE CLIP (11 OR 12), SLIDE IT OVER THE END OF CLAMP AND TIGHTEN USING SCREWDRIVER.

NOTE: DO NOT OVER TIGHTEN ON CABLE.

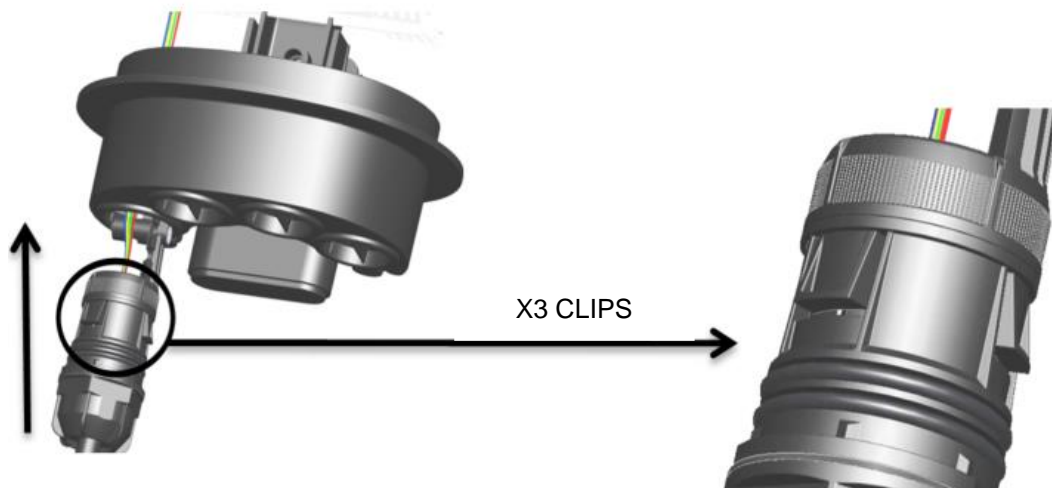
APPLY 2 TURNS OF ELECTRICAL TAPE OVER THE JUBILEE CLIP.



MECH SEAL – SINGLE WAY GLAND INSTALLATION GUIDE

Step 14

PUSH GLAND (1) INTO CMJ/MMJ/LMJ BASE. ONCE RESISTANCE ON O-RING IS FELT, CONTINUE PUSHING WITH A TWISTING ACTION UNTIL AN AUDIBLE CLICK IS HEARD. VISUALLY CHECK FROM INSIDE THE BASE ALL 3 CLIPS ARE SECURED INTO BASE.



MECH SEAL – SINGLE WAY GLAND INSTALLATION GUIDE

Step 15

INSERT THE CABLE TUBE INTO THE MANIFOLD RESTRAINT AND STRIP THE TUBE AT THE INDICATED POSITION, AS SHOWN. ROUTE ELEMENTS AND FIBRES AS PER THE CLOSURE INSTALLATION INSTRUCTIONS.

