

## MECH SEAL – 4 WAY SST GLAND INSTALLATION GUIDE

### KIT CONTENTS

ITEM No.:	DESCRIPTION	QTY
1	MEDIUM BODY SEALING GLAND	x1
2	MEDIUM NUT	x1
3	O-RING BS124 NITRILE	x2
4	2 WAY CSM BRACKET	x1
5	GRUB SCREW	x2
6	4 WAY SST CABLE SEAL	x1
7	ANTI-TORSION SST CLAMP	x1
8	SST BLANK	x4
19	SPACERS	x2
10	GREASE SACHET	x1
11	CABLE TIE	x4



## MECH SEAL – 4 WAY SST GLAND INSTALLATION GUIDE

### Step 1

REMOVE PORT BLANK FROM BASE BY FULLY SQUEEZING TOGETHER THE TABS FROM INSIDE THE BASE.

**NOTE: YOU MAY NEED TO ROTATE THE BLANK IN THE PORT TO SQUEEZE THE TABS.**

USING YOUR OTHER HAND OR PLIERS, HOLD THE CENTRAL RIB AND FIRMLY PULL UNTIL THE PORT BLANK IS RELEASED.



## MECH SEAL – 4 WAY SST GLAND INSTALLATION GUIDE

### Step 2

ASSEMBLE 2 WAY CSM BRACKETS (4) TO THE SHORT-THREADED END OF THE GLAND BODY (1).

THREAD 2X SPACERS (9) OVER OTHER END. FIT THE CABLE SEAL (6) INTO THE END FULLY.

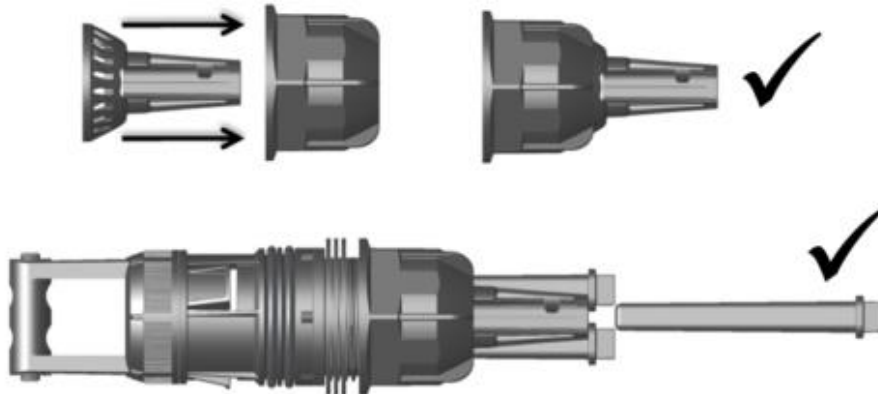


## MECH SEAL – 4 WAY SST GLAND INSTALLATION GUIDE

### Step 3

INSERT THE ANTI-TORSION CLAMP (7) INTO THE MEDIUM NUT (2).

LOOSELY SCREW THE NUT (2) ONTO THE GLAND ASSEMBLY (1) AND INSERT THE REQUIRED NUMBER OF BLANKS (8) REQUIRED.



## MECH SEAL – 4 WAY SST GLAND INSTALLATION GUIDE

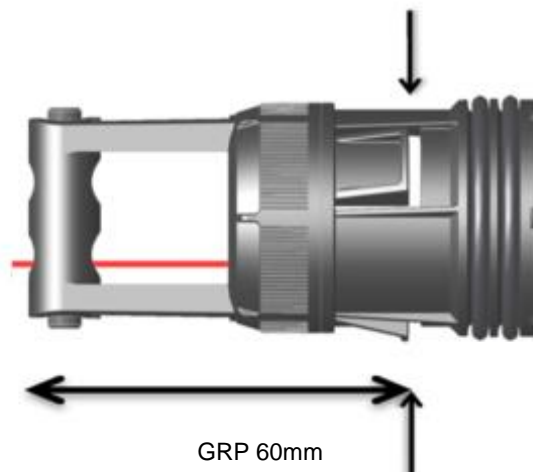
### Step 4

STRIP CABLE BACK 2m (CMJ, MMJ) OR 3m (LMJ) EXPOSING THE ELEMENT AND GRP.

MEASURE FROM THE CABLE BUTT AND CUT THE GRP TO 60mm.

APPLY GREASE (10) ALONG THE CABLE SHEATH FROM THE BUTT BACK 200mm & PULL CABLE BACK UNTIL YOU HAVE ENOUGH SPACE TO PUSH GRP THROUGH 2 WAY CSM BRACKETS.

PULL CABLE BACK UNTIL BUTT ENDS UP IN POSITION SHOWN.



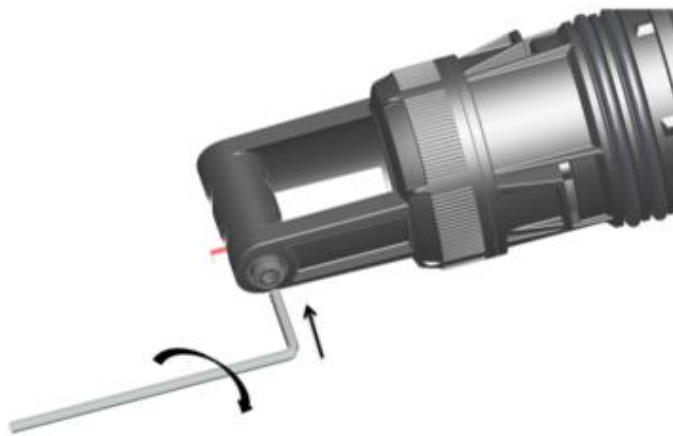
PULL CABLE BUTT IN LINE WITH BOTTOM OF CLIPS

## MECH SEAL – 4 WAY SST GLAND INSTALLATION GUIDE

### Step 5

TIGHTEN THE GRUB SCREW (5) ONTO GRP USING A 2MM ALLEN KEY.

DO NOT OVER TIGHTEN.

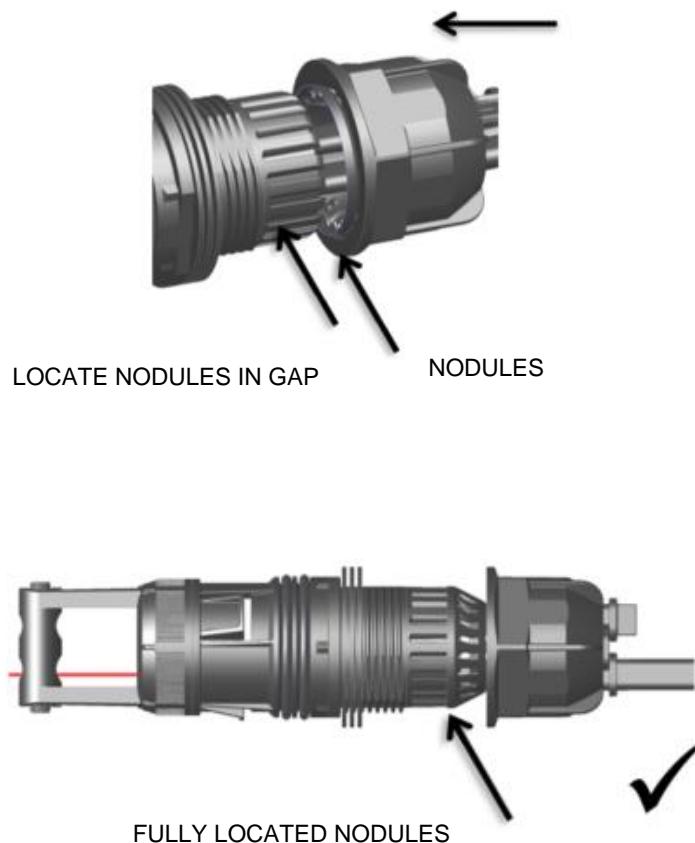


## MECH SEAL – 4 WAY SST GLAND INSTALLATION GUIDE

### Step 6

ENSURE THE SEAL (6) IS FULLY INSERTED INTO GLAND BODY (1). LOCATE THE ANTI-TORSION CLAMP (7) NODULES AND PUSH THE CLAMP ONTO THE SEAL SO THE ANTI-TORSION CLAMP CANNOT ROTATE.

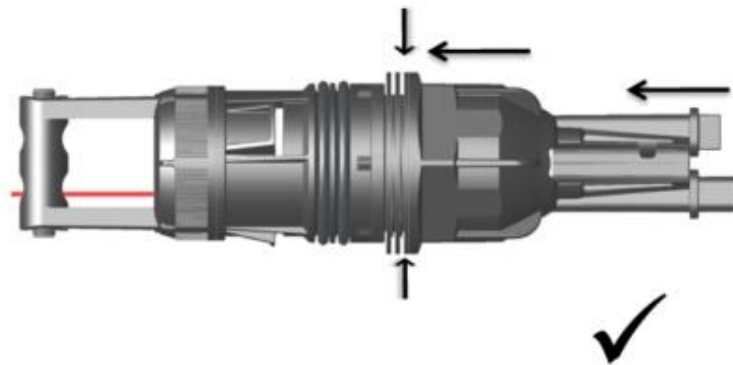
**NOTE: DO NOT FORCEFULLY ROTATE THE CLAMP. IF THE ANTI-TORSION CLAMP ROTATES, IT HAS NOT BEEN LOCATED CORRECTLY.**



## MECH SEAL – 4 WAY SST GLAND INSTALLATION GUIDE

### Step 7

SCREW THE NUT (2) OVER THE ANTI-TORSION CLAMP (7) AND SCREW THE NUT DOWN UNTIL ALL THE SURFACES MATE. ENSURE THE ANTI-TORSION CLAMP STAYS LOCATED BY PUSHING DOWN ON THE END WHILST IN POSITION.





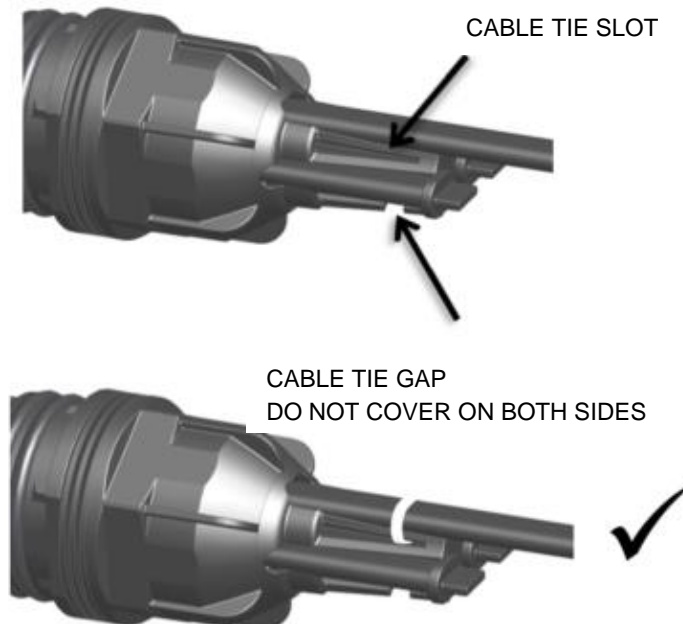
## MECH SEAL – 4 WAY SST GLAND INSTALLATION GUIDE

### Step 8

SLIDE THE CABLE TIE (11) THROUGH THE SLOT AS SHOWN. USE THE GAPS TO HELP LOCATE THE CABLE TIE AROUND THE BACK OF THE CABLE TIE POSITION.

**NOTE: DO NOT BLOCK THE GAPS WHEN INSTALLING THE FIRST CABLE TIE, AS IT WILL BE USED TO INSERT THE SECOND CABLE TIE FOR FUTURE CABLE ENTRY.**

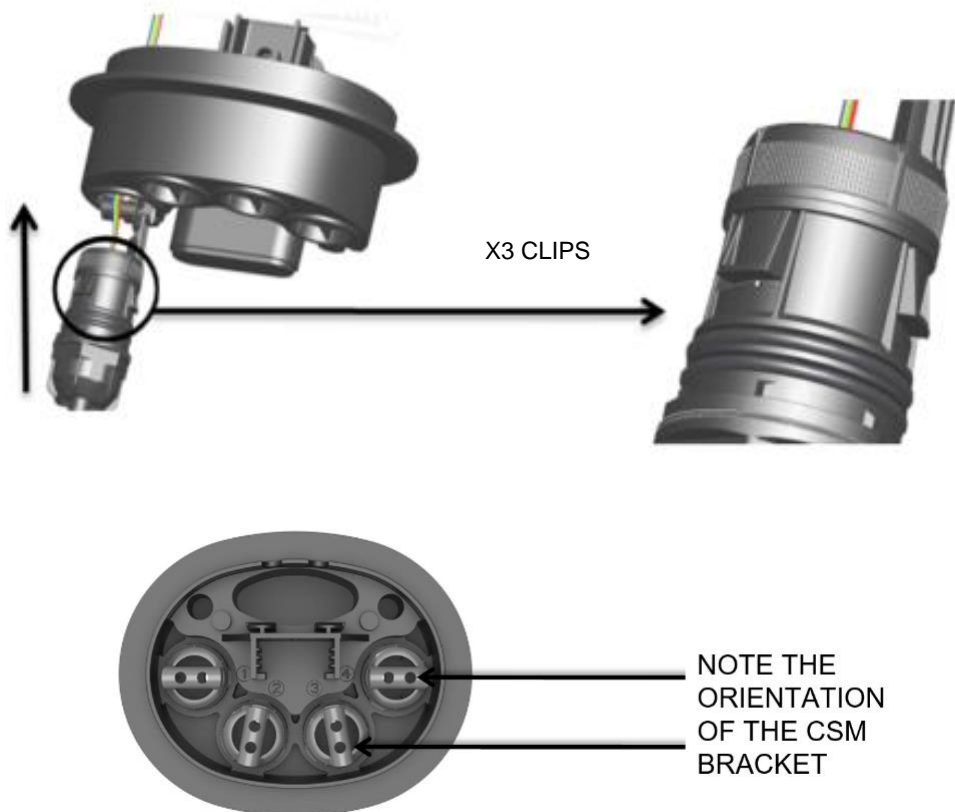
**NOTE: DO NOT OVER TIGHTEN ON CABLE.**



## MECH SEAL – 4 WAY SST GLAND INSTALLATION GUIDE

### Step 9

PUSH GLAND (1) INTO CMJ/MMJ/LMJ BASE WITH THE 2 WAY CSM BRACKET ORIENTED AS BELOW. ONCE RESISTANCE ON O-RING IS FELT, CONTINUE PUSHING WITH A TWISTING ACTION UNTIL AN AUDIBLE CLICK IS HEARD. VISUALLY CHECK FROM INSIDE THE BASE ALL 3 CLIPS ARE SECURED INTO BASE.



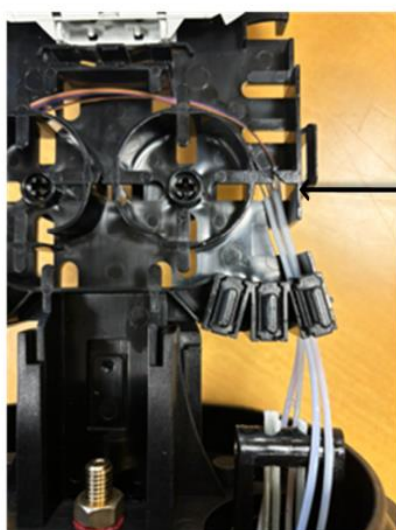
## MECH SEAL – 4 WAY SST GLAND INSTALLATION GUIDE

### Step 10

**IF USING PORTS 1 OR 4**, INSERT TWO CABLE TUBES BEHIND THE CSM PLATE AND TWO CABLE TUBES THROUGH THE FRONT OF THE CSM PLATE.

**IF USING PORTS 2 OR 3**, INSERT TWO CABLE TUBES ON THE LEFT SIDE OF THE CSM PLATE AND TWO CABLE TUBES ON THE RIGHT SIDE OF THE CSM PLATE.

JOIN THE TUBES TOGETHER AND CONTINUE TO THE MANIFOLD RESTRAINT AND STRIP THE TUBES AT THE INDICATED POSITION, AS SHOWN (JUST ABOVE THE TAB). ROUTE ELEMENTS AND FIBRES AS PER THE CLOSURE INSTALLATION INSTRUCTIONS.



STRIP  
CABLE  
TUBES

**WHEN USING  
PORTS 1 OR 4**



STRIP  
CABLE  
TUBES

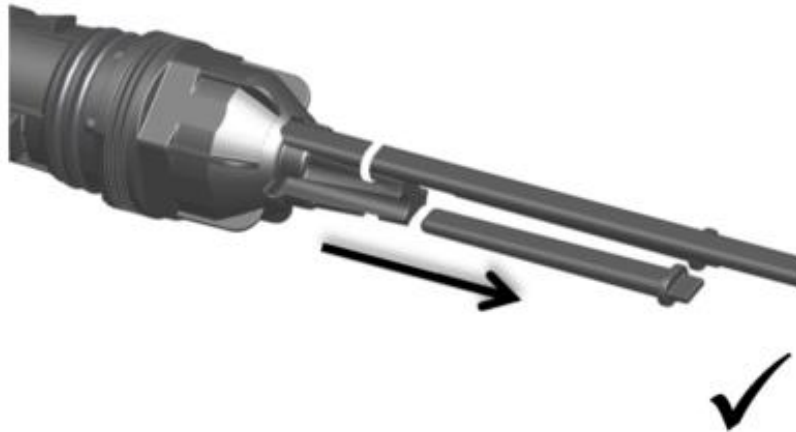
**WHEN USING  
PORTS 2 OR 3**

## MECH SEAL – 4 WAY SST GLAND INSTALLATION GUIDE

### Step 11

#### HOW TO ADD ADDITIONAL DROPS

LOOSEN THE NUT (2) AND REMOVE ONE OF THE BLANKS (8) FROM THE PORT SEAL (6) USING LONG NOSE PLIERS.



## MECH SEAL – 4 WAY SST GLAND INSTALLATION GUIDE

### Step 12

FOLLOW STEPS 3 TO 10 TO PREPARE THE CABLE, INSTALL THE CABLE AND INSERT THE GLAND INTO THE JOINT.

REPEAT AS REQUIRED.