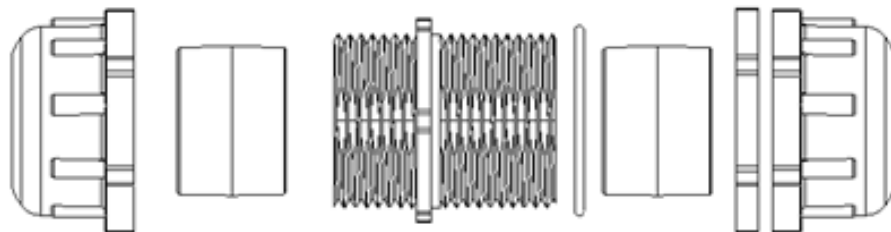


## TDC Cable Gland Installation 4x DB1 (dia9.5mm)

### KIT CONTENTS

ITEM No.:	DESCRIPTION	QTY
1	END CAP	x2
2	GLAND BODY (LARGE)	x1
3	O-RING	x1
4	LOCKNUT	x1
5	TDC 4 WAY RUBBER SEAL	x2
6	INSTALLATION GUIDE (IP123)	x1

ADDITIONAL ACCESSORIES:	PART No.:	DESCRIPTION
TDC INSTALLATION TOOL	XBFG00250	TDC GLAND SPANNER KIT
GLAND INSTALLATION TOOL	XBFG00277	TDC KNOCKOUT TOOL KIT
SILICONE GREASE	XBFG00260	TDC SILICONE GREASE



## TDC Cable Gland Installation 4x DB1(dia9.5mm)

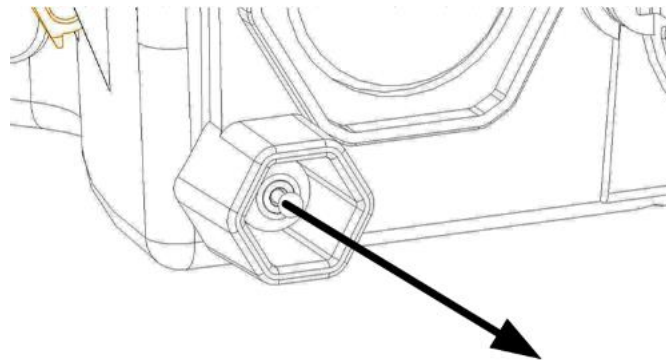
### Step 1



**WARNING:** The Tube Distribution Closure is a sealed closure used for blown applications. For safety reasons it is necessary that the pressure relief valve fitted in the bottom corner of the unit is pulled, before opening the closure, to ensure that there is no residual pressure within the closure.

ENSURE THE VALVE RECESS IS CLEAN AND FREE OF DEBRIS.

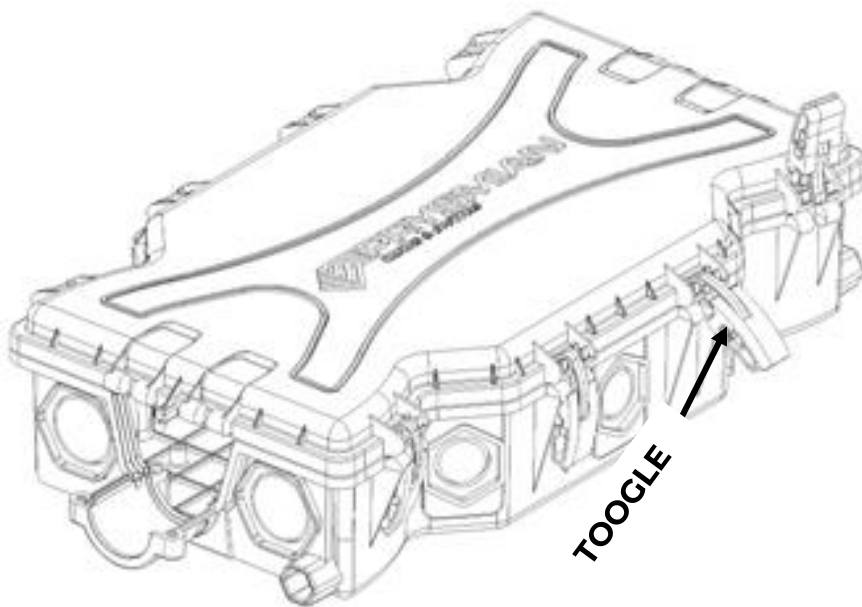
WITH A PAIR OF LONG NOSE PLIERS PULL THE VALVE TO RELEASE PRESSURE!



## TDC Cable Gland Installation 4x DB1(dia9.5mm)

### Step 2

TAKE THE COVER OFF THE TDC OBSERVING THE SAFETY PRACTICES IN STEP 1. TO DO THIS RELEASE THE 8 ORANGE TOGGLE LATCHES AROUND THE OUTSIDE.

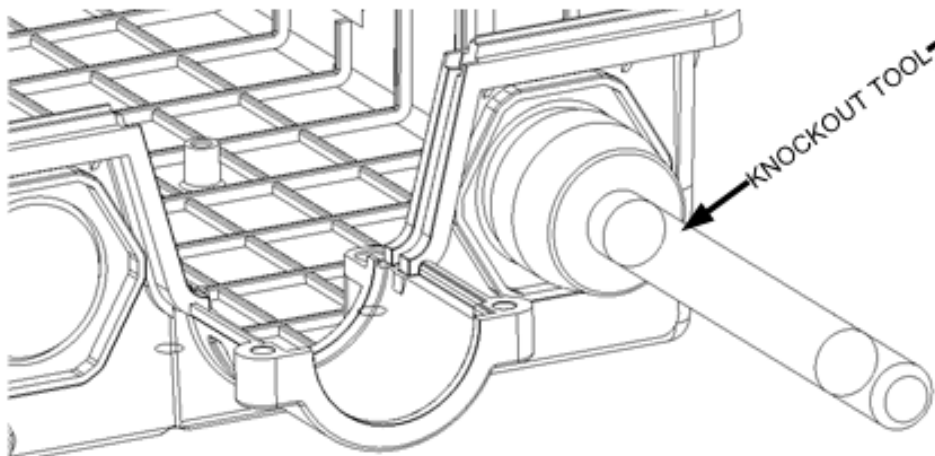


## TDC Cable Gland Installation 4x DB1(dia9.5mm)

### Step 3

USE THE TDC KNOCKOUT TOOL KIT (XBFSC00277) TO REMOVE THE REQUIRED END PORT. TO DO THIS SELECT THE APPROPRIATE KNOCKOUT HEAD. THE LARGE HEAD REMOVES THE END GLAND PORTS AND THE SMALLER ONE REMOVES ALL OF THE SIDE GLANDS. OFFER THE HEADS UP TO THE END PORT AND SELECT THE ONE WHICH FITS INTO THE RECESSED ANNULAR RING.

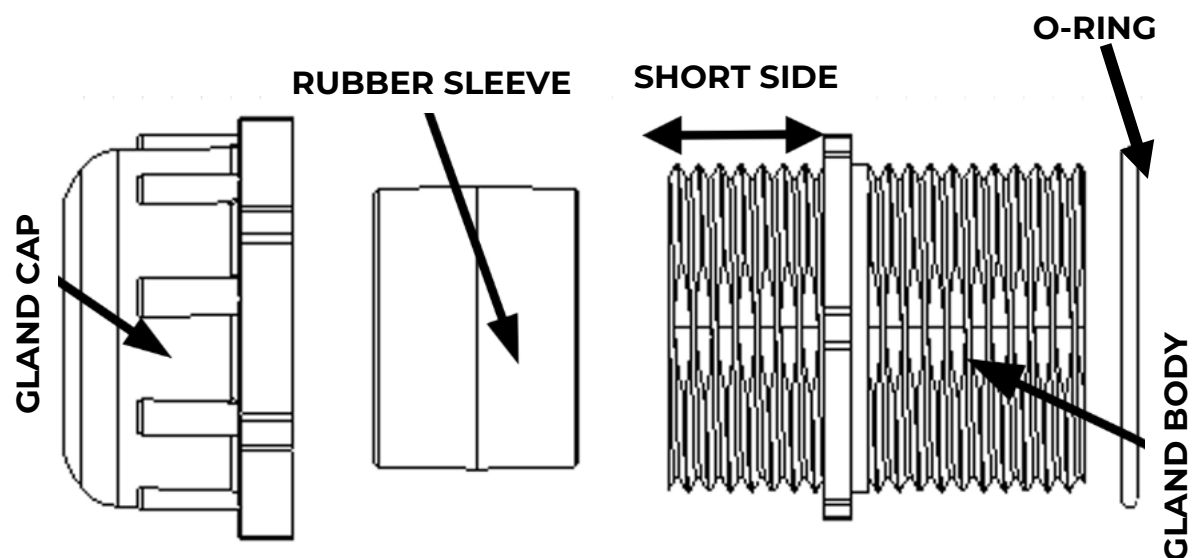
SCREW THE HEAD TO THE SHAFT OF THE KNOCKOUT TOOL. TO REMOVE THE PORT, SUPPORT THE TDC AND GIVE A SHARP BLOW TO THE END OF THE ASSEMBLED KNOCKOUT TOOL USING A HAMMER.



## TDC Cable Gland Installation 4x DB1(dia9.5mm)

### Step 4

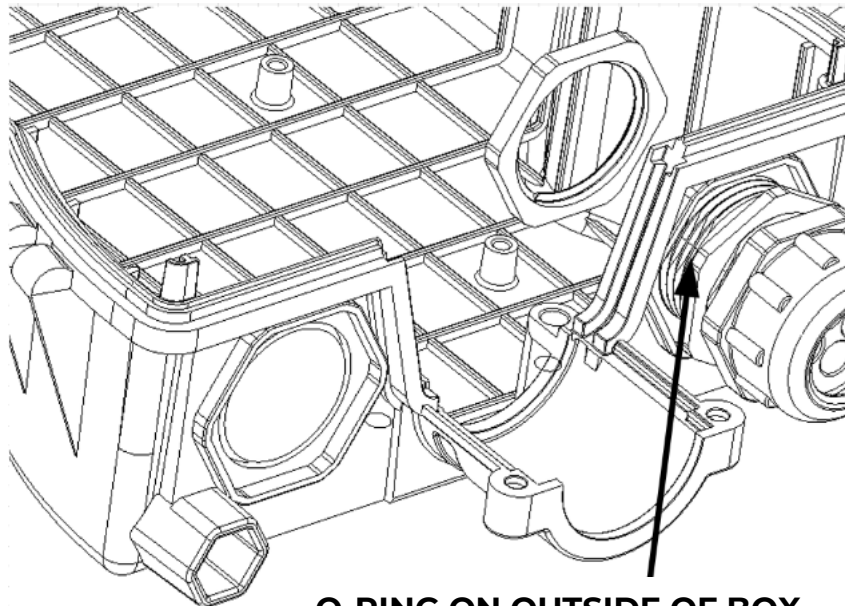
THE GLAND MUST BE FULLY POPULATED WITH 4 CABLES TO ACHIEVE AN IP68 RATED SEAL. IF YOU NEED TO INSTALL LESS THAN 4 CABLES CUT 50mm STUBS FROM THE CABLE YOU ARE INSTALLING AND USE THEM AS BLANKS. MAKE A SMALL SLIT USING A KNIFE AT THE BOTTOM OF EACH HOLE THAT REQUIRES A CABLE THROUGH THE THIN RUBBER WALL. ASSEMBLE THE SHORT SIDE OF THE GLAND BY PUSHING THE RUBBER SLEEVE INTO THE GLAND BODY, THEN FIT A GLAND CAP. FEED THE O-RING ONTO THE LONG SIDE OF THE GLAND.



## TDC Cable Gland Installation 4x DB1(dia9.5mm)

### Step 5

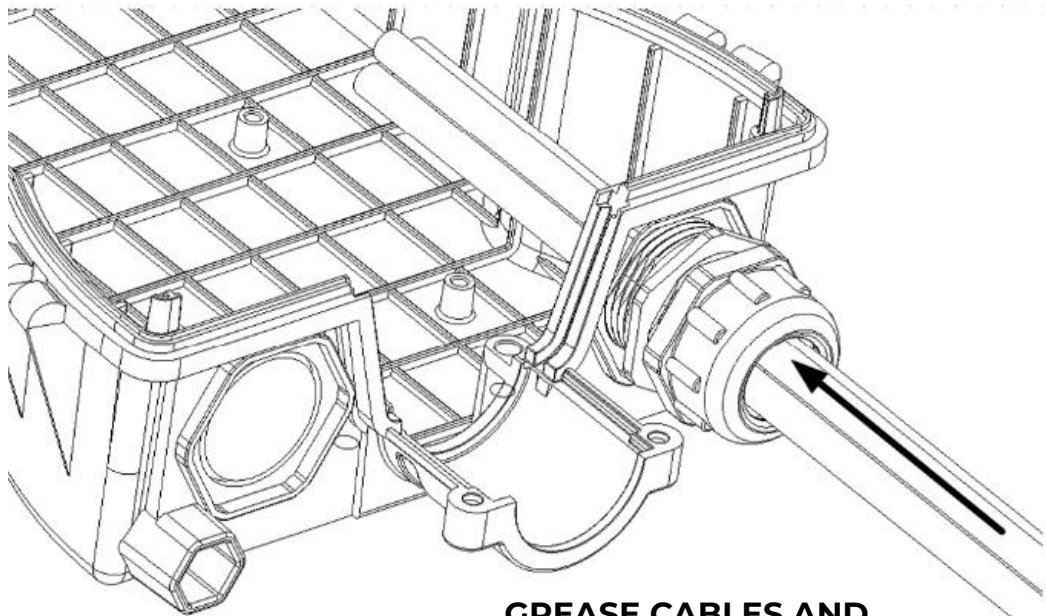
INSERT THE PART ASSEMBLED GLAND INTO THE TDC MAKING SURE THE O-RING IS ON THE OUTSIDE. FEED THE LOCKNUT ONTO THE CABLE GLAND AND TIGHTEN USING THE (XBFSG00247) TDC GLAND SPANNER.



## TDC Cable Gland Installation 4x DB1(dia9.5mm)

### Step 6

FOR THE GLAND TO BE IP68 RATED 4x DB1 (9.5mm DIA) CABLES MUST BE FITTED AT THE SAME TIME. APPLY A SMALL MOUNT OF SILICONE GREASE TO THE OUTER SHEATH OF EACH CABLE. PUSH EACH CABLE IN ONE AT A TIME THROUGH THE GLAND.



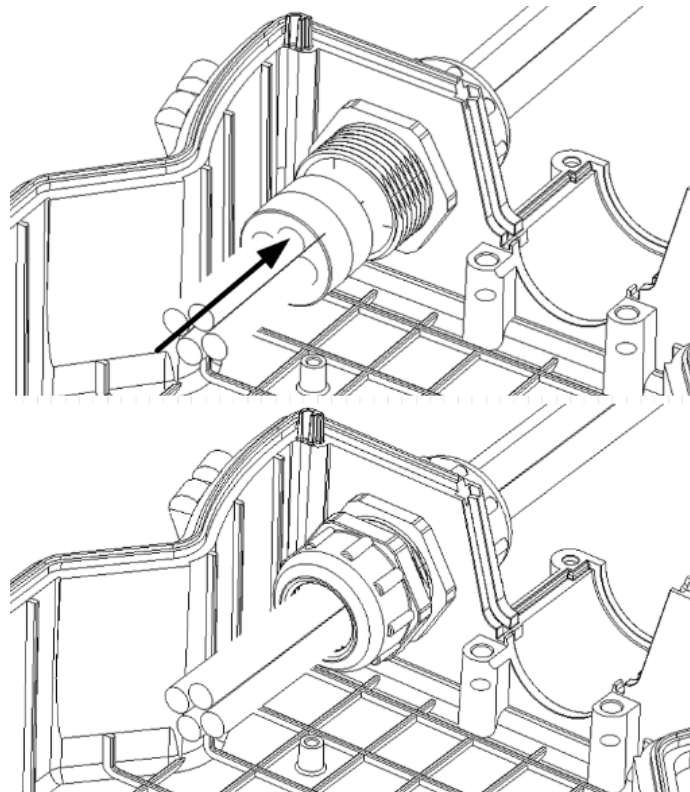
**GREASE CABLES AND  
PUSH CABLES THROUGH  
HOLES IN THIS DIRECTION**

## TDC Cable Gland Installation 4x DB1(dia9.5mm)

### Step 7

i. ASSEMBLE THE OTHER HALF OF THE GLAND BY SLITTING THE BOTTOM OF EACH HOLE AS IN STEP 4 AND PUSHING SLOWLY ONTO THE 4 CABLES.

ii. FEED THE GLAND CAP ONTO THE ASSEMBLY AND LOOSELY TIGHTEN. NOW ADJUST THE LENGTH OF CABLE REQUIRED INSIDE THE TDC BEFORE THREADING ON THE GLAND CAP.





## **TDC Cable Gland Installation 4x DB1(dia9.5mm)**

### **Step 8**

TIGHTEN UP THE GLAND AROUND THE CABLE BY HAND.  
USE THE TDC GLAND SPANNER TO FULLY TIGHTEN THE GLAND.

### **Step 9**

CONNECT THE REQUIRED TUBES USING THE APPROPRIATE CONNECTORS.

### **Step 10**

ENSURE THE SEAL IN THE LID AND THE TDC SEALING EDGE IS CLEAR FROM DEBRIS PLACE THE COVER CAREFULLY OVER THE TDC BASE UNIT AND FIX IN POSITION USING THE TOGGLE LATCHES.