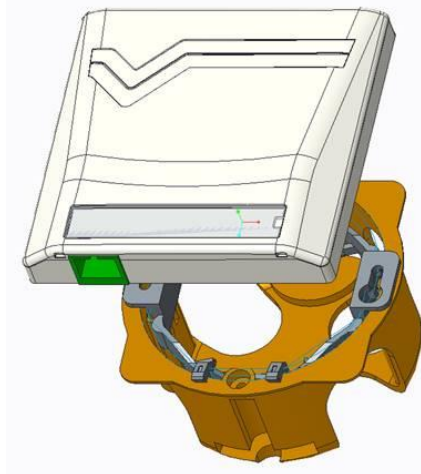
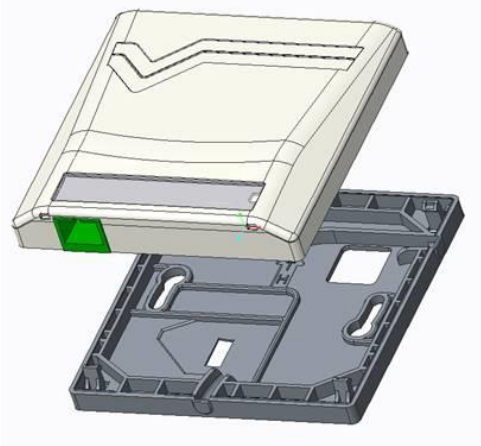


FLAT CTB – FLAT COMPACT TERMINATION BOX®

Product Design

Product code – see page 2



DESIGN & CONSTRUCTION

- Compact & attractive design for interior wall mounting. Standard colour is white RAL9010.
- On the front main cover, a flip cover is available for an identification label.
- Removable main cover for easy access.
- Cables can enter unit from rear, bottom, top, right-hand side or left-hand side.
- Cables are fixed with dedicated combs, without the use of tie raps.
- Flip splice tray to allow access to pre-terminated tails and cable entry.
- Up to four G.657.A2 fibre 900 microns pigtails can be supplied as standard. The pigtails are already stripped inside the splice tray. All fibres are positively managed to maintain a 15mm minimum bend radius.
- On the base, a fiber management allow one fusion splice.
- Patch cord exit the unit on bottom face and is protected using inner-shuttered adapter.
- Supplied with 3 brackets for wall mounting (with screws or double face tape), for embedded electrical junction box or for mounting directly onto a DIN Rail.
- The Flat CTB can accept a field mounted connector.
- Can be supplied on a reel with a pre-installed stub of cable for direct mounting without the need to open the box. Please check the following data sheets:
 - WM085 pre-terminated Flat CTB kit for internal cables.
 - WM086 pre-terminated Flat CTB kit for external cables

PRODUCT DESCRIPTION

The Flat Compact Termination Box (Flat CTB) is designed for use in residential and business applications for the termination of one optical fibre. The wall box enables the termination of a customer drop cable onto SC/APC type pigtail and adapter. The unit is supplied with a fixing bracket for mounting directly onto a wall or onto a DIN rail. The unit can be supplied with pigtails and adapters pre-installed and can also be supplied on a reel with a length of cable pre-installed. Pigtail supplied is G.657.A2 fibre (others available on request) and adapter are fitted with a protection shutter. The Flat CTB allow to limit the esthetical impact inside the premises: Depth from the wall 12mm.

Kit Contents

- 1 x Base
- 1 x Cover
- 1 x Label Cover
- 1 x Splice Tray
- 3 x Wall Fixing Brackets
- 1 x Pigtail 1 x Adapter
- 2 x Fixing Screws
- 2 x Wall Plugs

Additional Items

- Splice protectors
- Adapters
- Pigtails

Note: Splice protectors are not supplied. Splice protectors can be ordered separately. See additional items.

FLAT CTB – FLAT COMPACT TERMINATION BOX®



Prysmian Part Numbers

Prysmian Part Number	Designation	Product Content
XCPSC03843	Flat CTB 1fo	Flat CTB equipped with one pigtail 900 microns G.657.A2 and one SC/APC-SC/APC inner-shuttered adapter.

Technical Data

- Maximum input cable diameter(mm) : 5 mm
- Number of input cable port: 1
- Maximum Capacity : 1 connector type SC and 1 splice
- Dimensions (mm) : (l) 80 x (w) 80 x (d) 12
- Operating temperature : from -25 to +70° C
- Material/Color : ABS / White RAL9010
- Testing specification : FT_RD_WTC_14_03_70
- SC/APC 900 microns Pigtail : Fiber G.657.A2.
- inner-shuttered adapter type : SC/APC

Logistics

- Packing Dimensions (mm): (w) 100 x (h) 150 x (d) 30
- Packed Weight (Kg): 0.25
- Packaging: 40 Flat CTB/transportation box and 15 transportation boxes/euro-palette

Additional Items

Heat Shrink Splice Protectors

Splice protectors are used to protect the fibre splice. They are 2.2mm in diameter and 45mm in length.

Prysmian Part No. - XPESC00053 (pack of 50)
- XKTSC00050 (pack of 12)



SC/APC-SC/APC inner-shuttered adapter

The adaptor is a simplex SC/APC type, with Zirconium sleeve, flangeless, without metallic clip. One end is equipped with an inner-shutter.

Prysmian Part No. - XPPSG02725



© PRYSMIAN GROUP 2019, All Rights Reserved

All sizes and values without tolerances are reference values. Specifications are for product as supplied by Prysmian: any modification or alteration afterwards of product may give different result.

The information contained within this document must not be copied, reprinted or reproduced in any form, either wholly or in part, without the written consent of Prysmian. The information is believed to be correct at the time of issue. Prysmian reserves the right to amend this specification without prior notice. This specification is not contractually valid unless specifically authorised by Prysmian.