

MECH SEAL - 8 WAY FLAT DROP GLAND 4F - NO MESSENGER INSTALLATION GUIDE

KIT CONTENTS

ITEM No.:	DESCRIPTION	QTY
1	MEDIUM BODY SEALING GLAND	x1
2	MEDIUM NUT	x1
3	O-RING BS124 NITRILE	x2
4	STRENGTH MEMBER RETENTION BRACKET	x1
5	8-WAY GRIP PLATE	x1
6	M4 x 12mm CSK POZI PAN SCREW	x1
7	8-WAY CABLE SEAL	x1
8	8-WAY SPACER	x1
9	8-WAY SEAL PIN	x1
10	8-WAY x8 BLANKS ON SPRUE	x1
11	MECH SEAL – 1MM SPACER	x3
12	GREASE SACHET	x1
13	CABLE TIE - 3.6mm X 150mm – BLACK	x1



**MECH SEAL - 8 WAY FLAT DROP GLAND 4F - NO MESSENGER
INSTALLATION GUIDE**

Step 1

REMOVE PORT BLANK FROM BASE BY FULLY SQUEEZING TOGETHER THE TABS FROM INSIDE THE BASE.

NOTE: YOU MAY NEED TO ROTATE THE BLANK IN THE PORT TO SQUEEZE THE TABS.

USING YOUR OTHER HAND OR PLIERS, HOLD THE CENTRAL RIB AND FIRMLY PULL UNTIL THE PORT BLANK IS RELEASED.



**MECH SEAL - 8 WAY FLAT DROP GLAND 4F - NO MESSENGER
INSTALLATION GUIDE**

Step 2

INSERT THE SEAL PIN (9) INTO THE CENTRAL HOLE OF THE SEAL (7), THEN INSERT THE ASSEMBLY INTO THE GLAND ASSEMBLY (1) AS SHOWN.

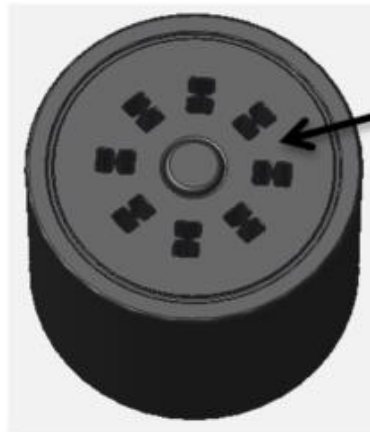
NOTE: ENSURE THE PIN IS INSERTED SMALL DIAMETER END FIRST.



**MECH SEAL - 8 WAY FLAT DROP GLAND 4F - NO MESSENGER
INSTALLATION GUIDE**

Step 3

APPLY SILICON GREASE (12) (SEE FIG 3.1) TO THE SURFACE OF THE CABLE SEAL (7). APPLY GENEROUSLY AND SMOOTH FLAT INTO THE CABLE SLOTS.



APPLY GREASE
TO SURFACE

FIG 3.1

NOTE: OTHER PARTS
OMMITTED FOR CLARITY

**MECH SEAL - 8 WAY FLAT DROP GLAND 4F - NO MESSENGER
INSTALLATION GUIDE**

Step 4

SLIDE OVER THE X3 1MM SPACERS (11) OVER THE THREADED AREA THEN PUSH THE 8-WAY SPACER (8) ONTO THE SEAL ENSURING THE SLOTS IN THE SEAL AND SPACER LINE UP. APPLY SILICON GREASE (12) ONTO THE INSIDE THREADED AREA OF THE MEDIUM NUT (2) AND LOSELY FIT THE MEDIUM NUT (2) ONTO THE BODY.



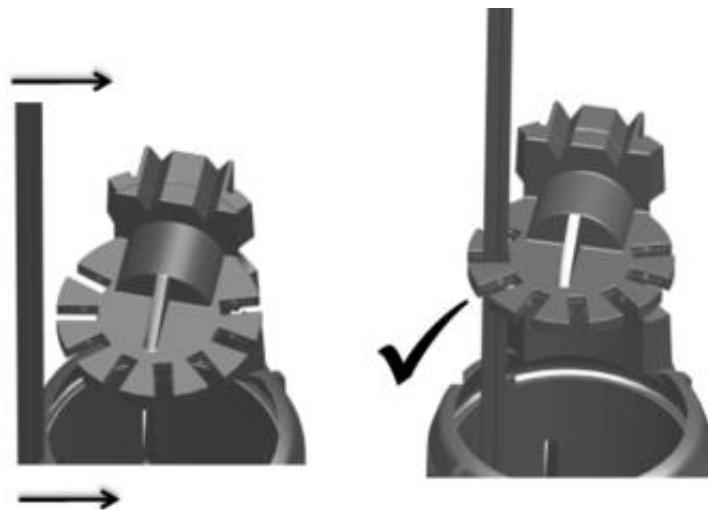
**MECH SEAL - 8 WAY FLAT DROP GLAND 4F - NO MESSENGER
INSTALLATION GUIDE**

Step 5

PUSH THE CABLE THROUGH ONE OF THE HOLES IN THE CABLE SEAL (7).

FIRMLY PUSH CABLE THROUGH THE BREAK-OUT LAYER, & FEED THROUGH 2.1m (CMJ, MMJ) or 3.1m (LMJ), STRIP CABLE AT STEP 8.

LINE THE CABLE UP WITH THE NEAREST CABLE GRIP POSITION IN THE 8-WAY GRIP PLATE (5). PUSH THE CABLE INTO THE GRIP TO SECURE. LIGHTLY PULL ON THE CABLE TO TEST THE CABLE HAS BEEN PUSHED IN FULLY.



**MECH SEAL - 8 WAY FLAT DROP GLAND 4F - NO MESSENGER
INSTALLATION GUIDE**

Step 6

REPEAT STEP 5 AS MANY TIMES AS NECESSARY TO ADD ALL ADDITIONAL CABLES.

REMOVE ENOUGH BLANKS FROM THE SPRUE (10) TO POPULATE ALL REMAINING CABLE SLOTS. ENSURE BLANK IS INSERTED CORRECTLY, IT WILL SIT FLAT AGAINST THE SPACER.

AND HAND TIGHTEN THE MEDIUM NUT (2) DOWN CLOSE TO THE BASE OF THE THREAD.

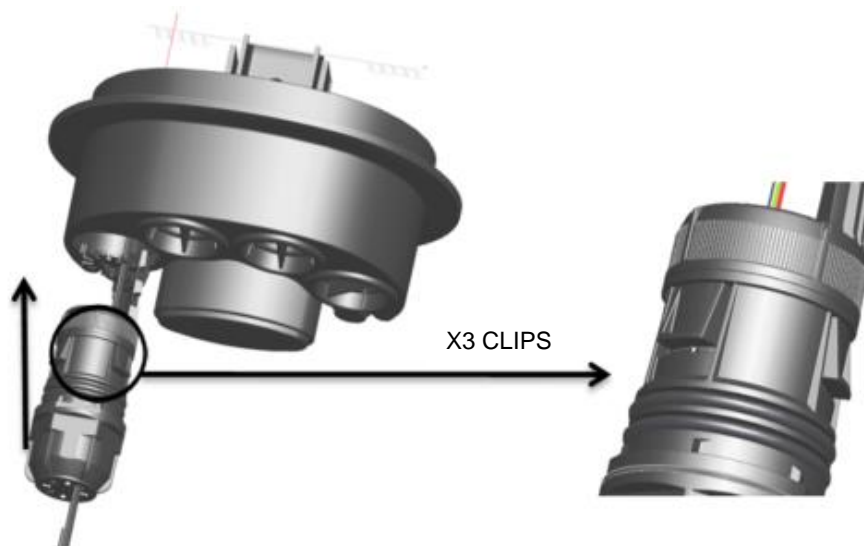
ENSURE BLANK IS INSERTED TO MATCH THE SPACER PROFILE CORRECTLY



**MECH SEAL - 8 WAY FLAT DROP GLAND 4F - NO MESSENGER
INSTALLATION GUIDE**

Step 7

PUSH GLAND (1) INTO CMJ BASE. ONCE RESISTANCE ON O-RING IS FELT, CONTINUE PUSHING WITH A TWISTING ACTION UNTIL AN AUDIBLE CLICK IS HEARD. VISUALLY CHECK FROM INSIDE THE BASE ALL 3 CLIPS ARE SECURED INTO BASE.

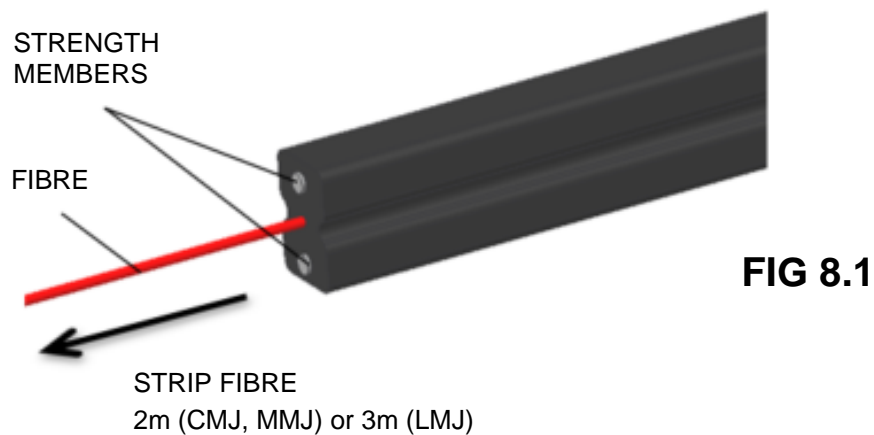


**MECH SEAL - 8 WAY FLAT DROP GLAND 4F - NO MESSENGER
INSTALLATION GUIDE**

Step 8

STRIP CABLE IN ACCORDANCE FOR APPROVED PRACTICES
(SEE FIG 8.1).

STRIP CABLE BACK 2m (CMJ, MMJ) or 3m (LMJ) EXPOSING THE
ELEMENTS, GRP AND ARAMID YARN IF APPLICABLE.



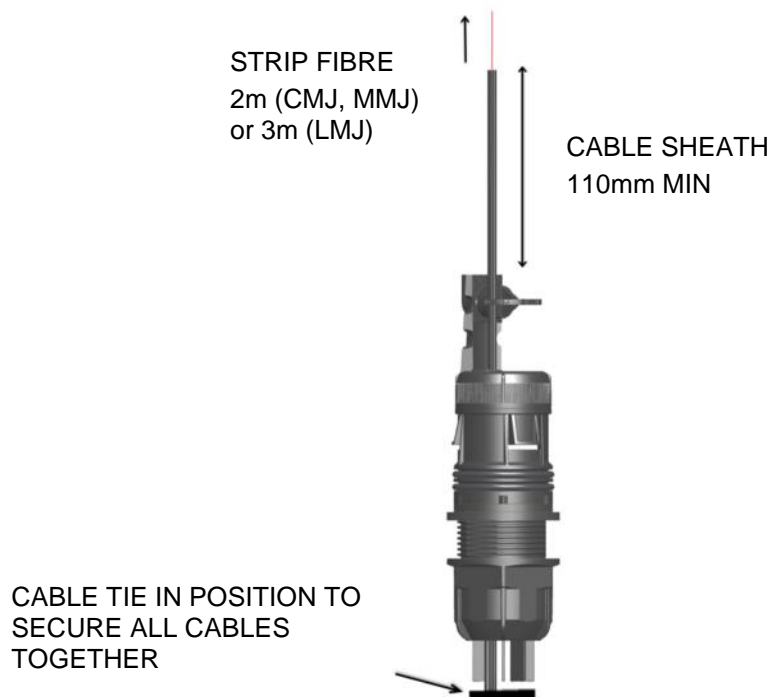
**MECH SEAL - 8 WAY FLAT DROP GLAND 4F - NO MESSENGER
INSTALLATION GUIDE**

Step 9

ONCE THE FIBRE IS EXPOSED, LOOSEN THE MEDIUM NUT (2) AND PULL BACK THE CABLE SHEATH INTO THE POSITION SHOWN. LEAVE APPROX 110mm OF DROP CABLE SHEATH REMAINING AND ENSURE IT IS LOCKED INTO THE GRIP PLATE SECURELY.

TIGHTEN THE MEDIUM NUT (2) DOWN TO THE BASE OF THE THREAD USING ADDITIONAL ITEM SPANNER (XJTSC02320 USER GUIDE IP460).

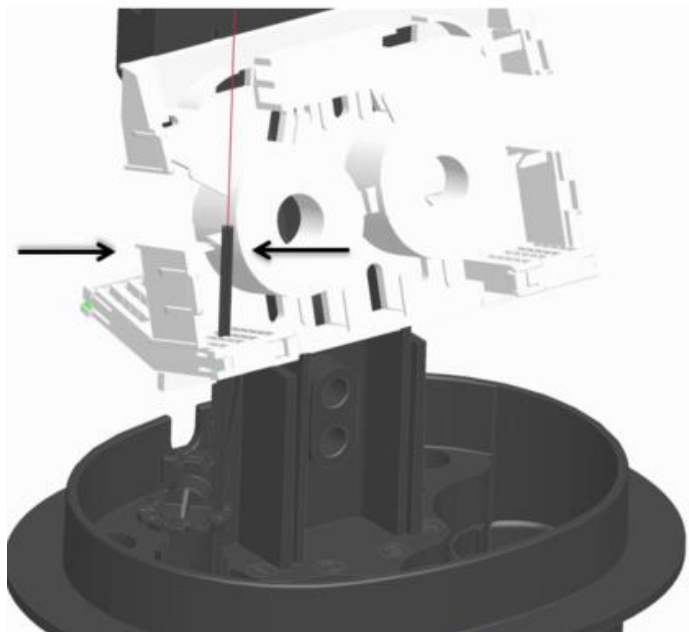
AND FINALLY, TO SECURE ALL CABLES WHICH ARE INSTALLED USE CABLE TIE (13) AND ATTACH IN THE POSITION SHOWN. SECURE TIGHTLY AND TRIM THE TAIL.



**MECH SEAL - 8 WAY FLAT DROP GLAND 4F - NO MESSENGER
INSTALLATION GUIDE**

Step 10

INSERT THE FLAT DROP CABLE INTO THE MANIFOLD RESTRAINT AND ENSURE THE SHEATH ALIGNS AT THE INDICATED POSITION, AS SHOWN. ROUTE ELEMENTS AND FIBRES AS PER THE CLOSURE INSTALLATION INSTRUCTIONS.



**MECH SEAL - 8 WAY FLAT DROP GLAND 4F - NO MESSENGER
INSTALLATION GUIDE**

Step 11

ADDITIONAL CABLE INSTALLTION

TO INSTALL ADDITIONAL CABLES, LOOSEN THE MEDIUM NUT (2) USING ADDITIONAL ITEM SPANNER (XJTSC02320 USER GUIDE IP460). REMOVE THE CABLE TIE IF ANY CABLES ARE INSTALLED AND REMOVE SAME NUMBER OF BLANKS (10) TO NEW INSTALLED CABLES.



**MECH SEAL - 8 WAY FLAT DROP GLAND 4F - NO MESSENGER
INSTALLATION GUIDE**

Step 12

ADDITIONAL CABLE INSTALLTION

FOLLOW CABLE PREPERATION STEPS 3 TO 6. TIGHTEN THE MEDIUM NUT DOWN TO THE BASE OF THE THREAD USING ADDITIONAL ITEM SPANNER (XJTSC02320 USER GUIDE IP460).

STRIP THE CABLE FOLLOWING STEP 8 AND ROUTE THE FIBRE BY FOLLOWING STEP 9 TO 10 TO FINISH.

Copyright Prysmian Group - 2022 You may not copy, reprint, or reproduce in any form the content, either wholly or in part, of this Installation Guide, without the written permission of the copyright owner. Specifications are for product as supplied by Prysmian Group: any modification or alteration afterwards of product may give different result. The information is believed to be correct at the time of issue. Prysmian Group reserves the right to amend the information within this Installation Guide without prior notice. This Installation Guide may include inaccuracies, omissions of content and of information and is not contractually valid unless specifically authorised by Prysmian Group. Property of Prysmian Group UK - Uncontrolled when printed Prysmian Cables & Systems Limited, Chickenhall Lane, Eastleigh, Hampshire, SO50 6YU, United Kingdom.

PRYSMIAN HELPLINE: + 44 (0) 7816191633
connectivity.help@prysmiangroup.com