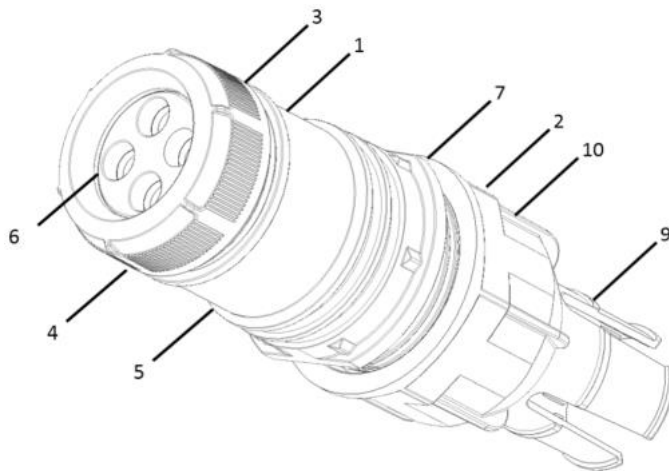


## MECH SEAL – HYBRID CABLE GAS BLOCK INSTALLATION

### KIT CONTENTS

ITEM No.:	DESCRIPTION	QTY
1	MEDIUM GAS BLOCKING GLAND	x1
2	MEDIUM NUT	x1
3	INTERSTICES SEAL	x1
4	INTERSTICES NUT	x1
5	INTERSTICES SPREADER	x1
6	INTERSTICES COMPRESSION WASHER	x1
7	SPACERS	x2
8	GREASE SACHET	x1
9	ANTI- TORSION CLAMP- LARGE	x1
10	JUBILEE CLIP – LARGE	x1
11	LARGE SINGLE WAY CABLE SEAL	x1

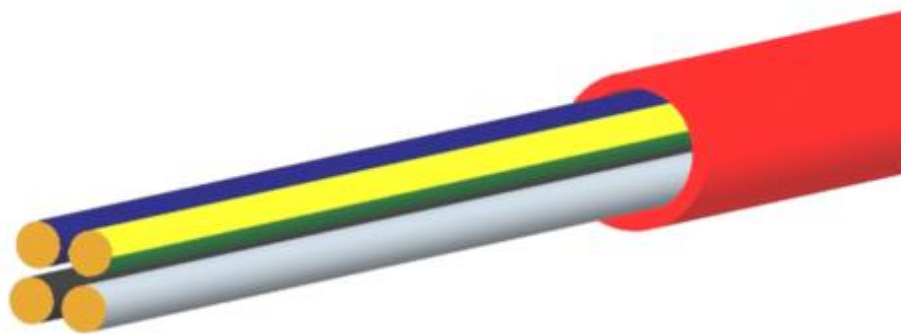


**THE MECHANICAL GAS BLOCK GLAND SYSTEM IS DESIGNED FOR USE WITH HYBRID CABLE. THE SYSTEM IS USED TO BLOCK GAS AND WATER FROM LEAKING FROM THE CABLE BUTT INTO CABINETS IN THE EVENT OF CABLE SHEATH DAMAGE.**

## **MECH SEAL – HYBRID CABLE GAS BLOCK INSTALLATION**

### **Step 1**

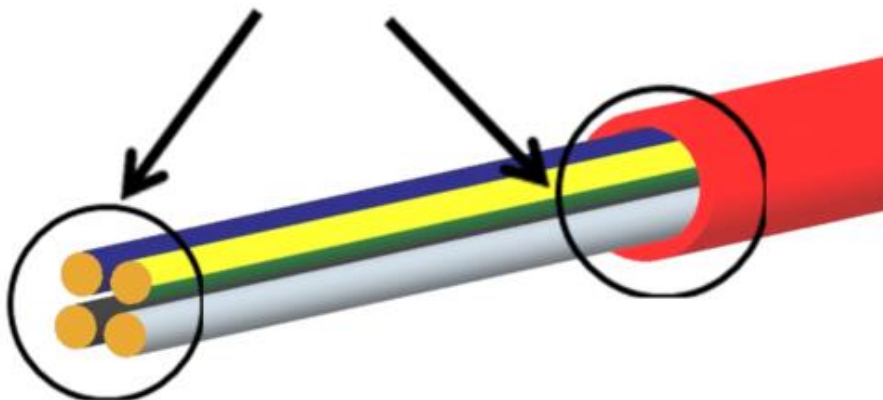
AFTER THREADING THE JUBILEE CLIP DOWN THE CABLE SHEATH, STRIP THE DESIRED LENGTH OF CABLE AND REMOVE ANY PROTECTIVE TAPES AND ANY REMAINING MATERIALS, TO EXPOSE THE 4 ELEMENTS. UNWIND THE ELEMENTS SO THAT THEY ARE AS STRAIGHT AS POSSIBLE. **NOTE: BE CAREFUL NOT TO DAMAGE THE SHEATH OF THE ELEMENTS.**



## MECH SEAL – HYBRID CABLE GAS BLOCK INSTALLATION

### Step 2

REMOVE ANY SHARP EDGES AND POINTS (AT THE END OF THE ELEMENTS AND CABLE BUTT) USING PREFERRED TOOLS AND METHODS, THIS WILL AVOID DAMAGING THE INTERNAL SEALS OF THE GLAND.



## **MECH SEAL – HYBRID CABLE GAS BLOCK INSTALLATION**

### **Step 3**

HEAVILY GREASE ALL OF THE ELEMENTS (ENDS INCLUDED) UP TO THE CABLE BUTT AND CONTINUE TO GREASE 80MM DOWN THE CABLE.



## **MECH SEAL – HYBRID CABLE GAS BLOCK INSTALLATION**

### **Step 4**

INSERT THE ELEMENTS INTO THE BOTTOM OF THE GLAND THROUGH THE GLAND BODY, AT THIS POINT THEY WILL BE GUIDED INTO THEIR LOCATION BY THE INTERNAL INTERSTICIES SPREADER (THIS MAY TAKE A FEW ATTEMPTS).

**NOTE: ENSURE THAT THE TOP INTERSTICIES NUT IS NOT FULLY TIGHTENED TO ALLOW THE ELEMENTS TO FLOW THROUGH THE SEAL.**



## **MECH SEAL – HYBRID CABLE GAS BLOCK INSTALLATION**

### **Step 5**

ONCE THE ELEMENTS ARE EXPOSED KEEP ON THREADING THE GREASED ELEMENTS THROUGH THE GLAND UNTIL THE CABLE BUTT BOTTOMS OUT INSIDE OF THE GAS BLOCK GLAND. (PAST THE BOTTOM SEAL).



## MECH SEAL – HYBRID CABLE GAS BLOCK INSTALLATION

### Step 6

-WITH THE CABLE BUTT PUSHED AS FAR AS POSSIBLE INTO THE GLAND TIGHTEN THE MEDIUM NUT (AT THE BOTTOM OF THE GLAND) DOWN ONTO THE SPACERS. THIS WILL SEAL THE GLAND AROUND THE CABLE BUTT.

-TIGHTEN THE TOP NUT TO SEAL THE 4 ELEMENTS.

**NOTE: WHEN THE TOP NUT INITIALLY MEETS RESISTANCE, IT NEEDS TO BE TIGHTENED A FURTHER MINIMUM OF  $\frac{3}{4}$  OF A TURN.**



## MECH SEAL – HYBRID CABLE GAS BLOCK INSTALLATION

### Step 7

-SLIDE THE JUBILEE OVER THE TORSION PIECE AND TIGHTEN SO THAT THE GLAND CAN NO LONGER ROTATE AROUND THE CABLE.  
-IMPORTANT: APPLY 2 TURNS OF ELECTRICAL TAPE OR EQUIVALENT OVER THE JUBILEE CLIP.

**NOTE:DO NOT OVER TIGHTEN**

