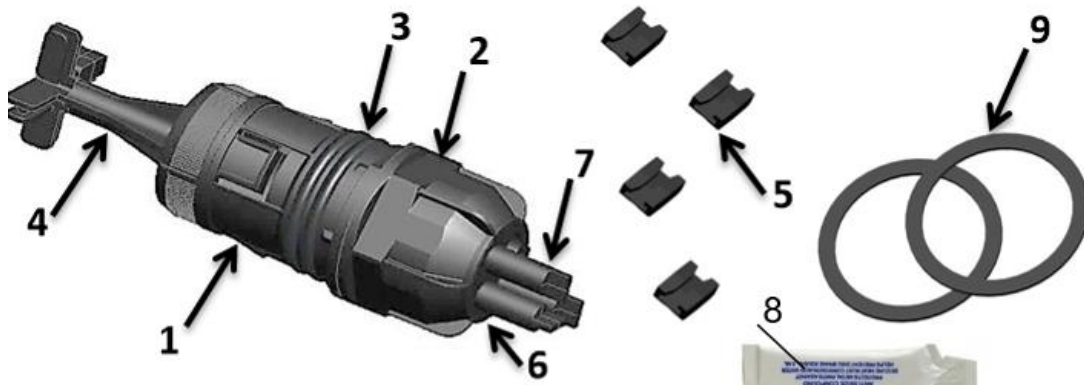


MECH SEAL – ALL 4 WAY ARAMID GLAND INSTALLATION GUIDE

KIT CONTENTS

ITEM No.:	DESCRIPTION	QTY
1	MEDIUM BODY SEALING GLAND	x1
2	MEDIUM NUT	x1
3	O-RING BS124 NITRILE ORANGE	x2
4	RETENTION BRACKET	x1
5	RETENTION CLIP	x4
6	4 PORT SEAL 5-7mm/6.5-8.5mm/4-6mm	x1
7	MECH SEAL – BLANK PLUG ORANGE/BLUE/GREEN	x4
8	GREASE SACHET	x1
9	SPACERS	x2



CABLE Ø	No. OF SPACERS	VARIATIONS (USING COLOURED BLANKS)
5mm	0	1x5mm, 2x5mm, 3x5mm& 4x5mm
6mm	1	1x6mm, 2x6mm, 3x6mm& 4x6mm
7mm	2	1x7mm, 2x7mm, 3x7mm& 4x7mm

MECH SEAL – ALL 4 WAY ARAMID GLAND INSTALLATION GUIDE

Step 1

REMOVE PORT BLANK FROM BASE BY FULLY SQUEEZING TOGETHER THE TABS FROM INSIDE THE BASE.

NOTE: YOU MAY NEED TO ROTATE THE BLANK IN THE PORT TO SQUEEZE THE TABS.

USING YOUR OTHER HAND OR PLIERS, HOLD THE CENTRAL RIB AND FIRMLY PULL UNTIL THE PORT BLANK IS RELEASED.



MECH SEAL – ALL 4 WAY ARAMID GLAND INSTALLATION GUIDE

Step 2

REMOVE THE MEDIUM NUT (2) & SEE 'SPACER TABLE' FOR HOW MANY SPACERS (9) TO SLIDE ON. LOOSELY TIGHTEN THE MEDIUM NUT (2) & PUSH THROUGH APPROX 2.2m OF CABLE (CMJ) 3.2m (LMJ) INTO 4 PORT SEAL (6).



MECH SEAL – ALL 4 WAY ARAMID GLAND INSTALLATION GUIDE

Step 3

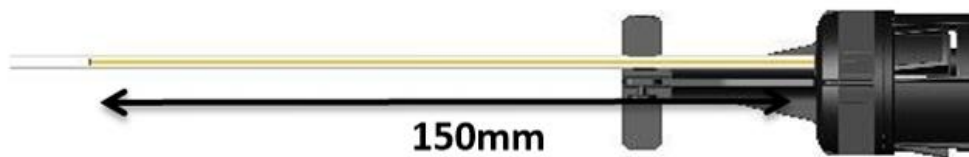
STRIP CABLE SHEATH BACK 1.8m (CMJ) OR 2.8m (LMJ) EXPOSING THE ELEMENT & ARAMID.



MECH SEAL – ALL 4 WAY ARAMID GLAND INSTALLATION GUIDE

Step 4

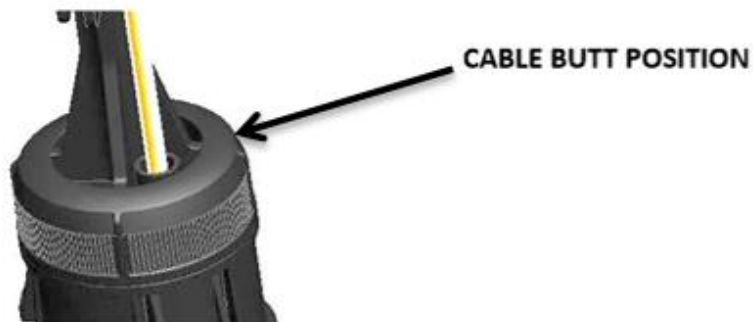
MEASURE FROM THE CABLE BUTT AND CUT THE STEEL/ARAMID TO 150mm. APPLY GREASE (8) ALONG CABLE SHEATH FROM THE BUTT BACK 200mm & PULL CABLE BACK UNTIL BUTT ENDS UP IN POSITION SHOWN.



MECH SEAL – ALL 4 WAY ARAMID GLAND INSTALLATION GUIDE

Step 5

ENSURE CABLE BUTT LINES UP WITH RETENTION BRACKET (4) EDGE.



MECH SEAL – ALL 4 WAY ARAMID GLAND INSTALLATION GUIDE

Step 6

ENSURE THE 4 PORT SEAL (6) IS FULLY INSERTED INTO SEALING GLAND (1). ADD SOME GREASE INSIDE THE NUT (2) AS WELL AS ON THE THREAD OF THE BODY GLAND (1). TIGHTEN THE NUT (2) TO SEALING GLAND (1) UNTIL THE SURFACES MATE.

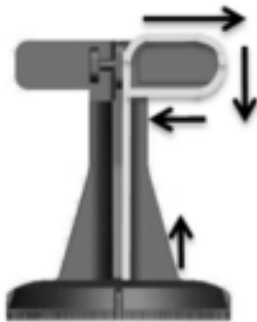
ENSURE ANY UNUSED ENTRY HOLES ARE INSERTED WITH A COLOURED MECH SEAL - BLANK PLUG ACCORDIND TO THE SIZE OF THE SEAL (5-7mm – ORANGE, 6-5-8.5mm – BLUE, 4-6mm – GREEN).



MECH SEAL – ALL 4 WAY ARAMID GLAND INSTALLATION GUIDE

Step 7

SEPARATE THE STEEL/ARAMID FROM THE TUBE ENSURING IT IS GATHERED IN ONE DIRECTION AND NOT SQUEEZING THE TUBE. TEMPORARILY TUCK THE LOOSE TUBE OUT OF THE WAY (BEHIND NEAREST CHANNEL).



WHILST KEEPING TENSION ON THE CABLE, BEGIN TO WRAP THE STEEL/ARAMID AROUND THE CHANNEL STARTING FROM INSIDE TO OUTSIDE UNTIL A MINIMUM OF 1.5 TO 2 TURNS HAVE BEEN MADE.

MECH SEAL – ALL 4 WAY ARAMID GLAND INSTALLATION GUIDE

Step 8

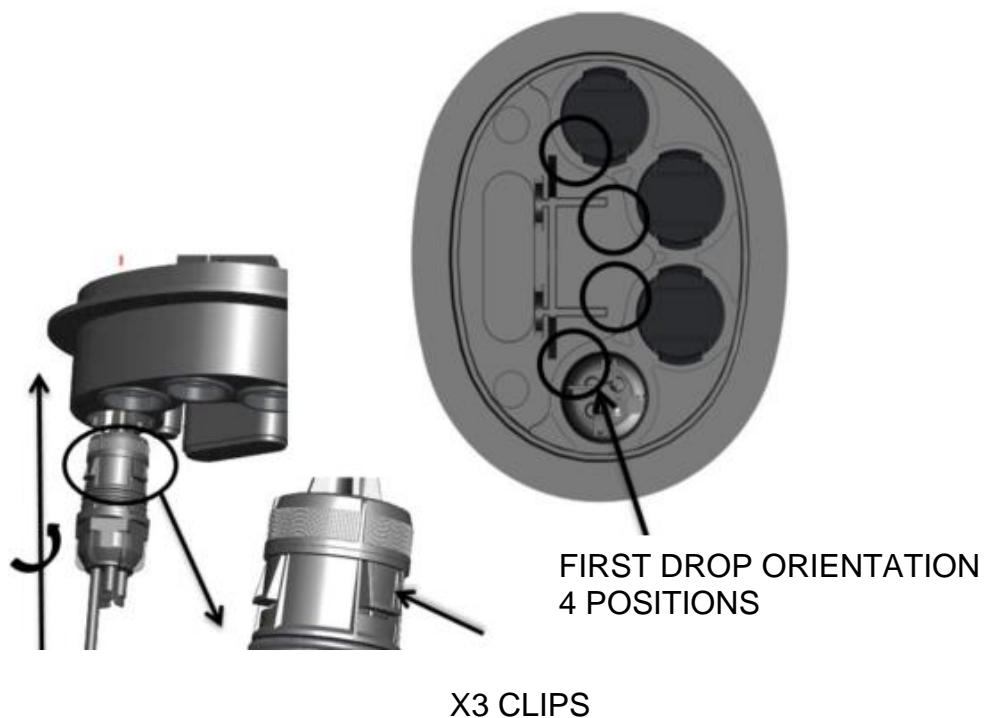
WHILST KEEPING TENSION ON THE STEEL/ARAMID, SLIDE THE RETENTION CLIP (5) INTO PLACE. IT SHOULD FEEL FIRM TO SLIDE ON. IF IT DOESN'T, REMOVE THE CLIP AND MAKE ANOTHER TURN AROUND THE CHANNEL TRIM THE REMAINING TAIL, LEAVING 10mm MINIMUM.



MECH SEAL – ALL 4 WAY ARAMID GLAND INSTALLATION GUIDE

Step 9

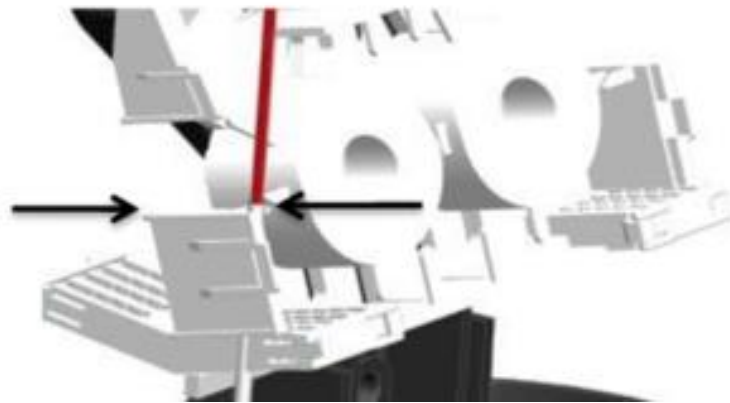
PUSH GLAND (1) INTO CMJ OR LMJ BASE, ONCE RESISTANCE ON O-RING IS 'FELT', CONTINUE PUSHING WITH A TWISTING ACTION UNTIL AN AUDIBLE CLICK IS HEARD. VISUALLY CHECK FROM INSIDE THE BASE ALL 3 CLIPS ARE SECURED INTO BASE. ENSURE THE FIRST DROP IS ORIENTATED TOWARDS THE CENTRE OF THE BASE.



MECH SEAL – ALL 4 WAY ARAMID GLAND INSTALLATION GUIDE

Step 10

INSERT THE CABLE TUBE INTO THE MANIFOLD RESTRAINT AND STRIP THE TUBE AT THE INDICATED POSITION, AS SHOWN. ROUTE ELEMENTS AND FIBRES AS PER THE CLOSURE INSTALLATION INSTRUCTIONS.



MECH SEAL – ALL 4 WAY ARAMID GLAND INSTALLATION GUIDE

Step 11

HOW TO ADD ADDITIONAL DROPS

LOOSEN THE NUT (2) AND REMOVE ONE OF THE COLOURED MECH SEAL – BLANK PLUG (7) FROM THE PORT SEAL (6) USING LONG NOSE PILERS.

