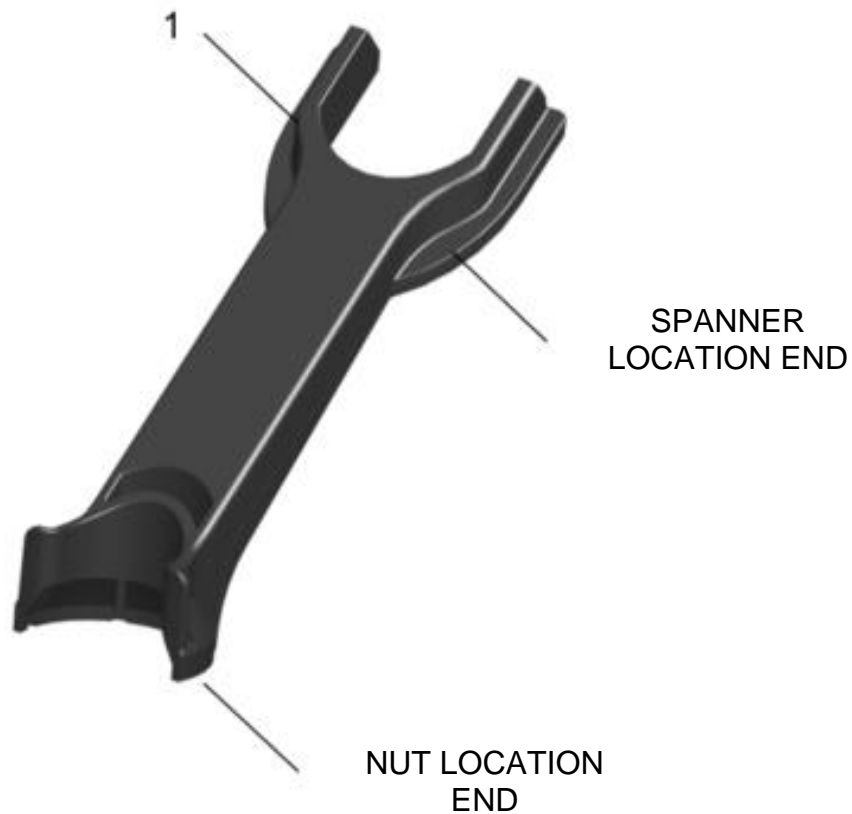


## MECH SEAL - SPANNER USER GUIDE

### KIT CONTENTS

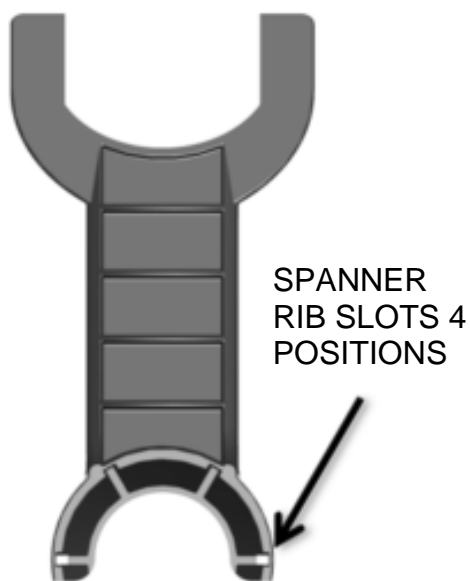
| ITEM No.: | PART No.:  | DESCRIPTION                       | QTY |
|-----------|------------|-----------------------------------|-----|
| 1         | XJTSG01792 | MECH SEAL – GLAND TIGHTENING TOOL | x1  |



**NUT LOCATION END USER GUIDE**

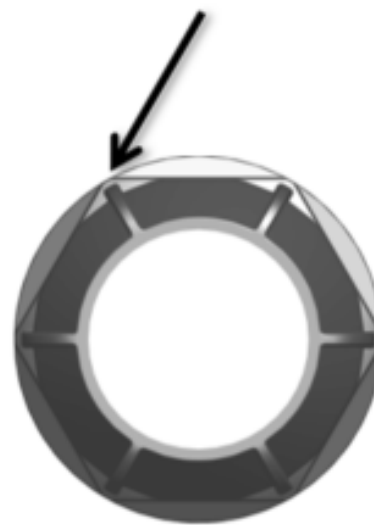
**Step 1**

TO TIGHTEN OR UNTIGHTEN THE MECH SEAL GLAND NUT USING THE NUT LOCATION END FIRST LOCATE THE RIBS ON THE NUT AND THE RIB SLOTS ON THE SPANNER.



(BOTTOM VIEW OF SPANNER)

NUT RIBS 6 POSITIONS



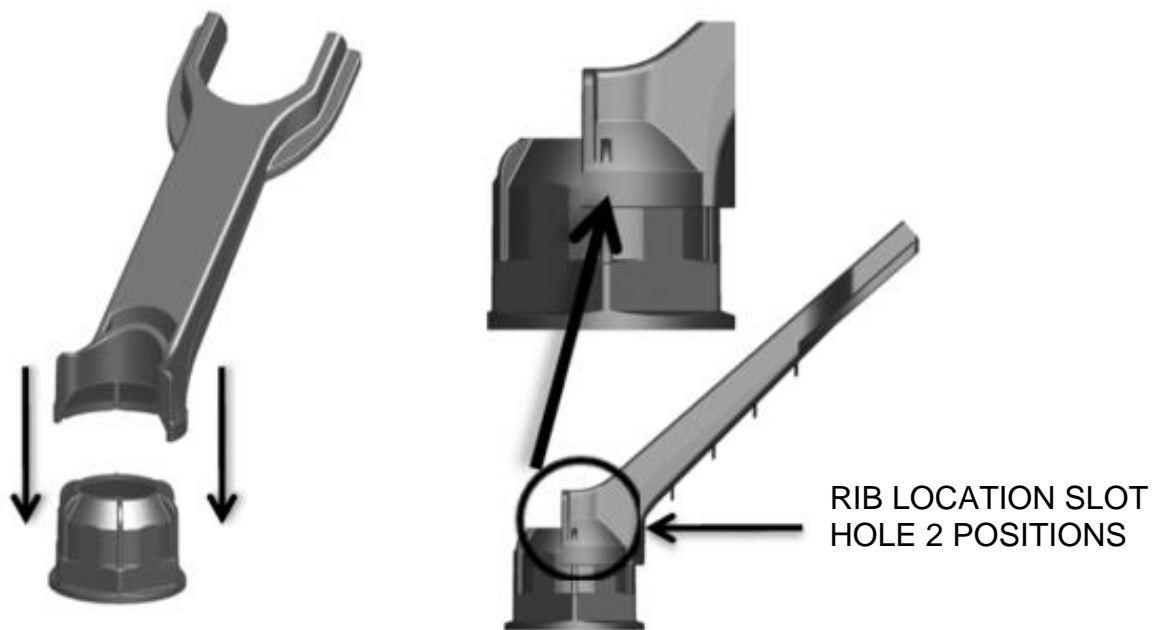
(NUT NOT TO SCALE FOR CLARITY)

**NUT LOCATION END USER GUIDE**

**Step 2**

ALIGN THE NUT LOCATION END OF THE SPANNER WITH THE MECH SEAL GLAND NUT. CHECK THE 2 RIB LOCATION HOLES IN SPANNER FOR CORRECT ALIGNMENT.

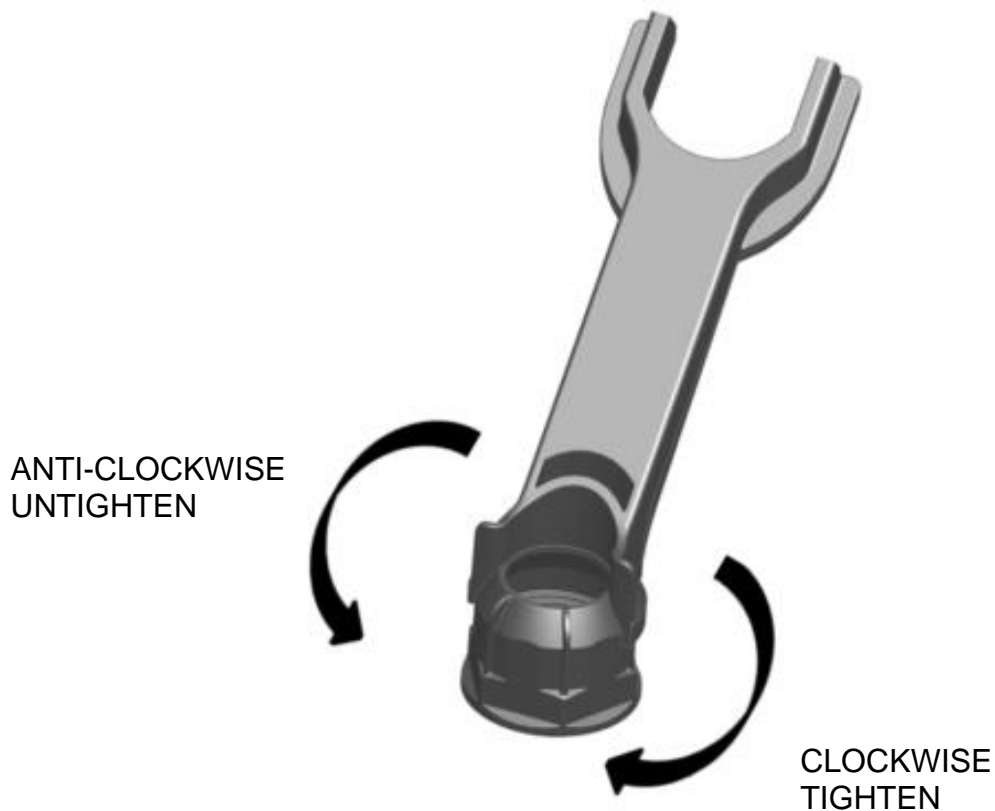
**NOTE: ALIGN ANY OF THE 6 RIBS ON THE NUT WITH THE 4 RIB SLOTS ON THE SPANNER. ENSURE ALL 4 OF THE RIB SLOTS ARE FILLED.**



**NUT LOCATION END USER GUIDE**

**Step 3**

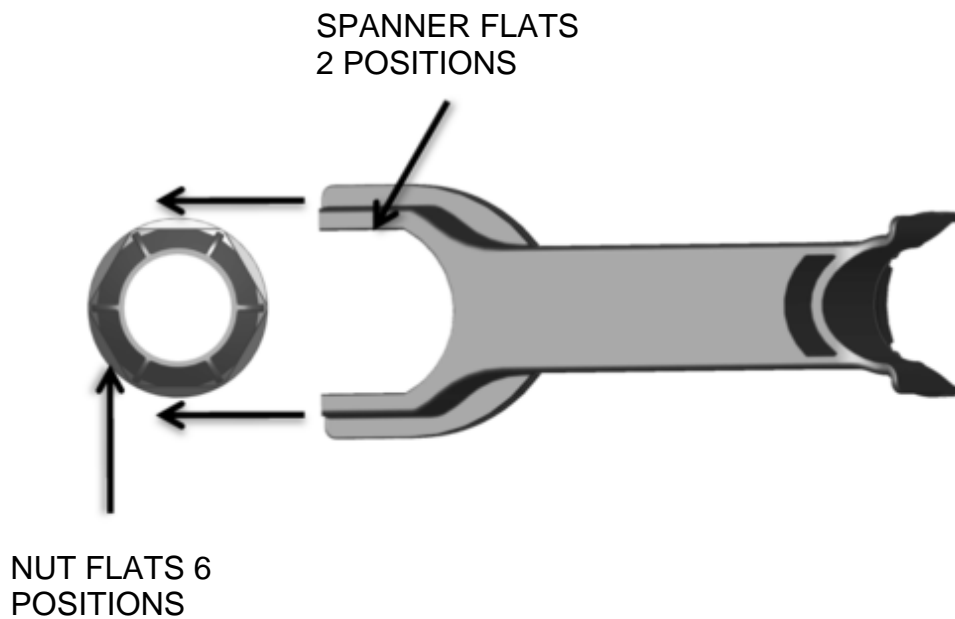
SLIDE THE 4 SPANNER RIB SLOTS OVER ANY 4 OF THE NUT RIBS. WHILST KEEPING CLOSE CONTACT TURN THE SPANNER CLOCKWISE TO TIGHTEN OR ANTI-CLOCKWISE TO UNTIGHTEN.



**SPANNER LOCATION USER GUIDE**

**Step 1**

TO TIGHTEN OR UNTIGHTEN THE MECH SEAL GLAND NUT USING THE SPANNER LOCATION END AND LOCATE THE FLATS ON BOTH THE SPANNER AND THE NUT.



**SPANNER LOCATION USER GUIDE**

**Step 2**

SLIDE THE SPANNER OVER THE FLATS OF THE NUT AND TURN THE SPANNER CLOCKWISE TO TIGHTEN OR ANTI-CLOCKWISE TO UNTIGHTEN.

