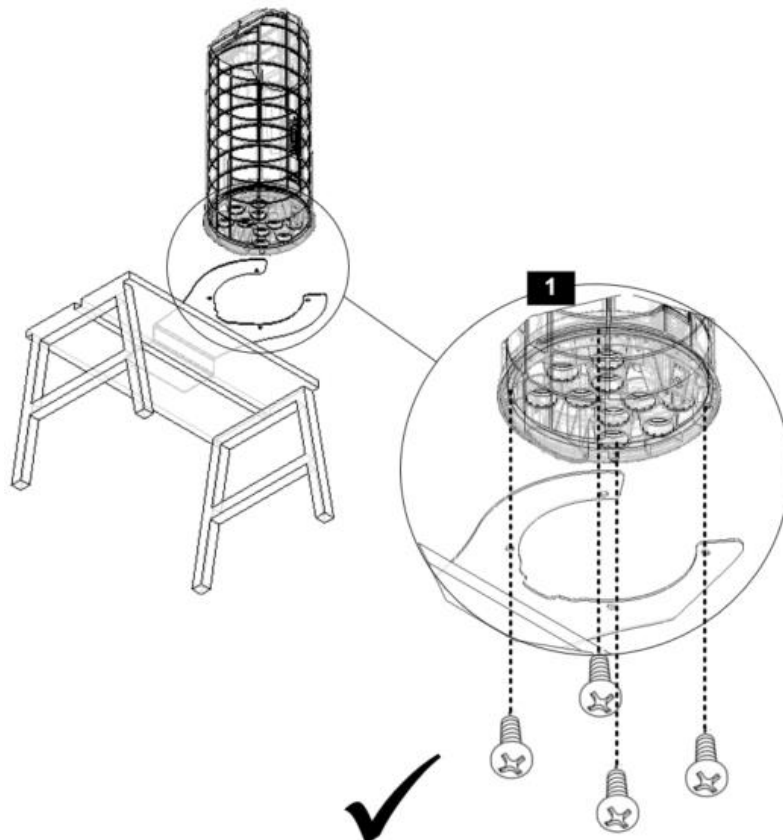


LMJ – SUPPORT/WALL BRACKET INSTALLATION GUIDE

Step 1

SECURE THE SUPPORT BRACKET INTO THE WORK-BENCH. LOWER THE LMJ JOINT ONTO THE SUPPORT BRACKET. USING THE 4 X M8 SCREWS AND WASHERS SCREW THE LMJ JOINT TO THE SUPPORT BRACKET.



LMJ – SUPPORT/WALL BRACKET INSTALLATION GUIDE

Step 2

1. DRILL 4X M10 HOLES INTO THE WALL. LOCATE THE 4 X M10 WALL PLUGS AND PUSH INTO THE DRILLED HOLES. LOCATE THE 4 X M10 SCREWS AND SECURE THE WALL BRACKET INTO POSITION.

2. LOWER THE LMJ JOINT ONTO THE WALL BRACKET. USING THE 4 X M8 SCREWS AND WASHERS SCREW THE LMJ JOINT TO THE WALL BRACKET.

