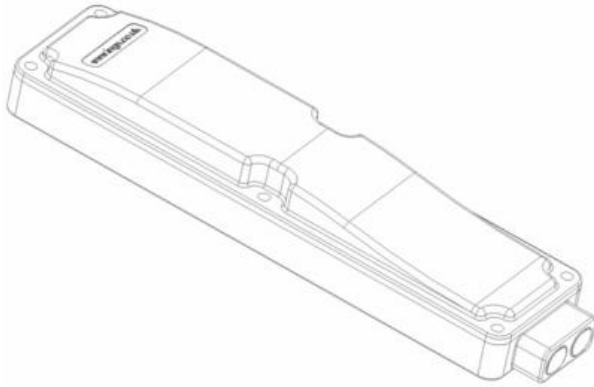


## DEMARCATIION UNIT

### KIT CONTENTS



***Clean before you connect.***  
*It is important that all fibre connectors and adapters are cleaned prior to mating using approved local practice. Failure to clean may result in either poor signal performance and/or permanent damage to the connector end faces.*

PART No.:	DESCRIPTION	QTY
XCP5G00528	BASE – DEMARCATIION UNIT	x1
XCP5G00529	COVER – DEMARCATIION UNIT	x1
XCP5G00547	CABLE TIE INSERT	x1
XXXBP00009	CABLE TIE	x4
TRAD77010	WALL PLUG	x2
XXXBP01408	FIXING SCREW NO. 6	x3
XXXBP01356	O-RINGS	x3
XXXBP01381	SCREW NO. 4	x2
XXXBP01004	SECURITY SCREW	x6
XXXBP01398	ARBOSEAL TAPE	90mm

#### ADDITIONAL ACCESSORIES:

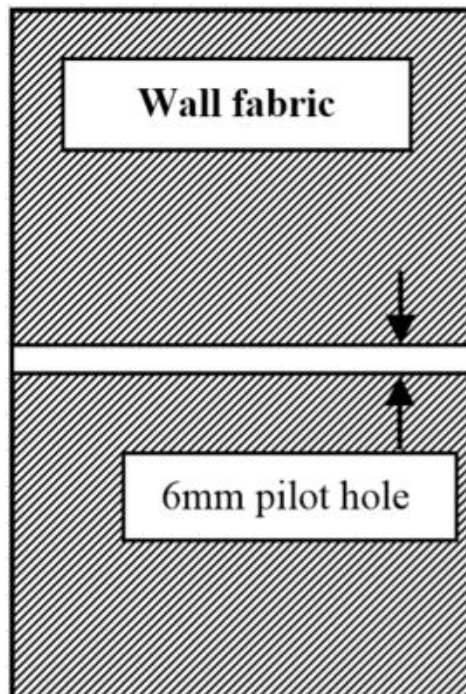
#### PART No.:

SEALING RESIN	XKTSC00094
SECURITY SCREWDRIVER	XCPSC00099

## DEMARCATON UNIT

### Step 1

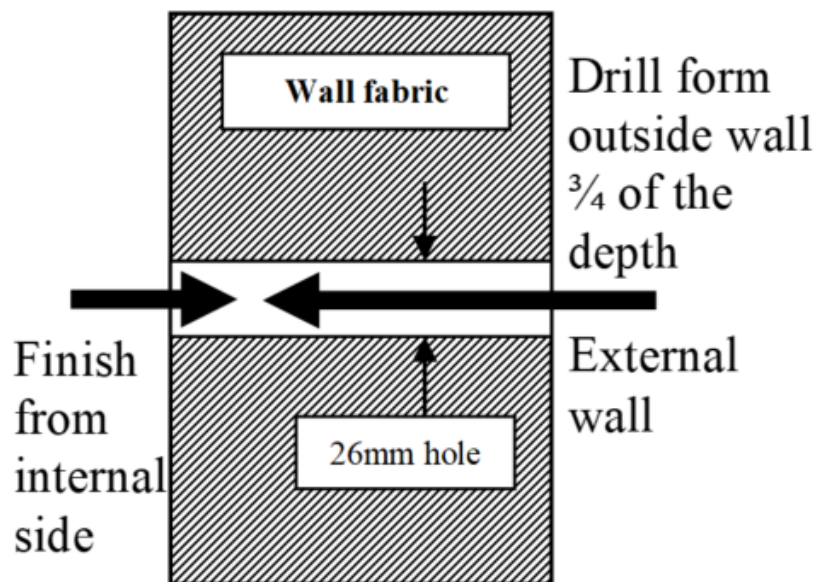
IDENTIFY A SUITABLE POSITION ON THE WALL TO MOUNT THE DEMARCATON UNIT, CHECK THE POSITION TO ENSURE NO CONCEALED SERVICES ARE PRESENT. DRILL HOLE AS PER DIAGRAM.



**DEMARCATON UNIT**

**Step 2**

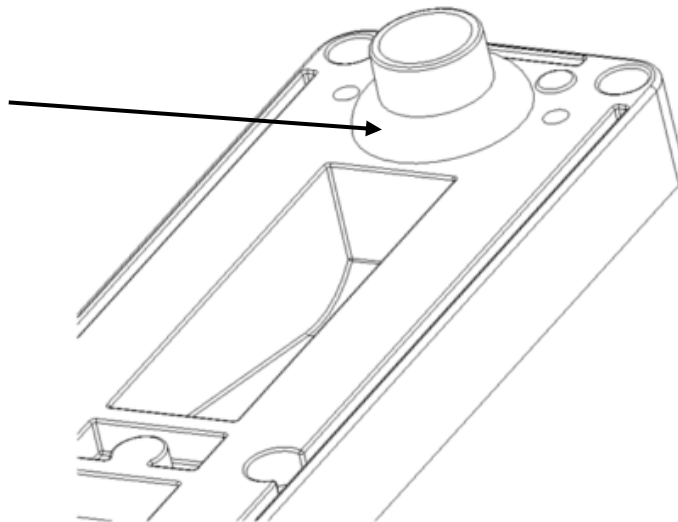
STARTING FROM THE OUTSIDE, ENLARGE THE PILOT HOLE TO Ø26MM. DO NOT DRILL COMPLETELY THROUGH THE WALL. FINISH ENLARGING THE HOLE FROM THE INSIDE OUT AS PER DIAGRAM.



**DEMARCATON UNIT**

**Step 3**

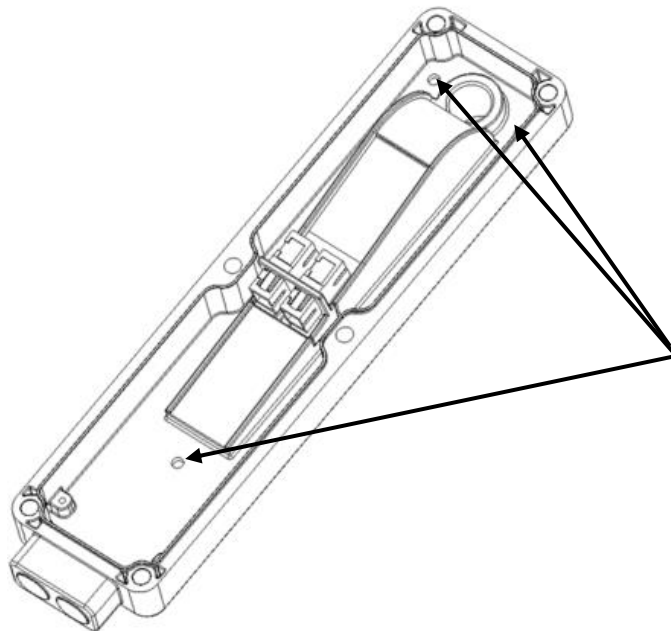
CUT 30 MM ARBOSEAL AND SEAL AROUND THE CONDUIT.



## DEMARCATIION UNIT

### Step 4

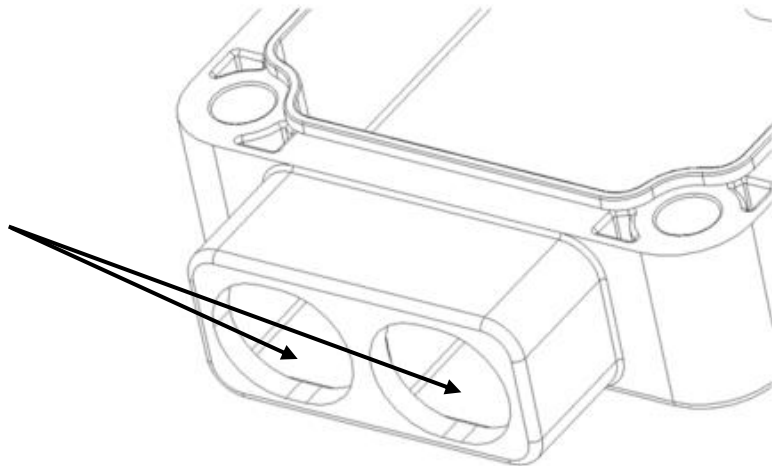
THREAD AN O-RING ONTO EACH OF THE FIXING SCREWS. ENSURE THE O-RINGS ARE IN CONTACT WITH THE HEAD OF EACH SCREW. FIX THE BASE TO THE WALL USING THE FIXING SCREWS AND WALL PLUGS.



**DEMARCATON UNIT**

**Step 5**

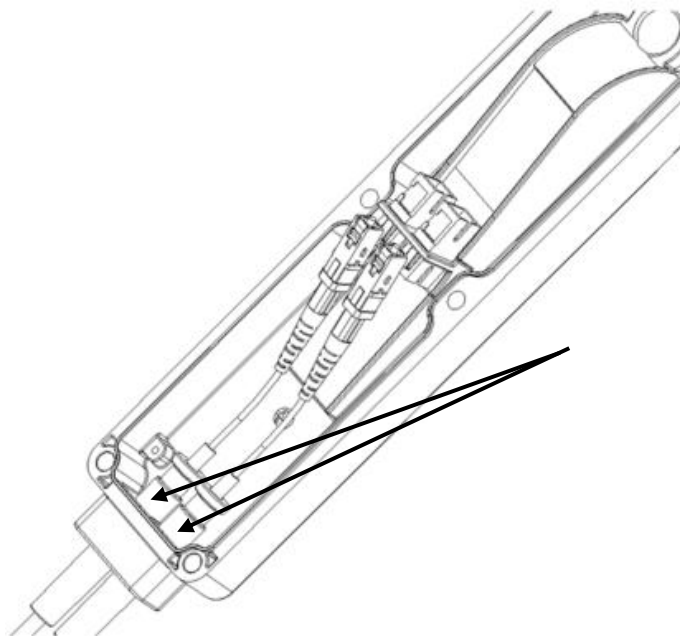
REMOVE ONE OF THE TWO KNOCK-OUTS (OR BOTH IF INSTALLING TWO CABLES) FROM THE INSIDE USING A HAMMER AND PUNCH.



**DEMARCATIION UNIT**

**Step 6**

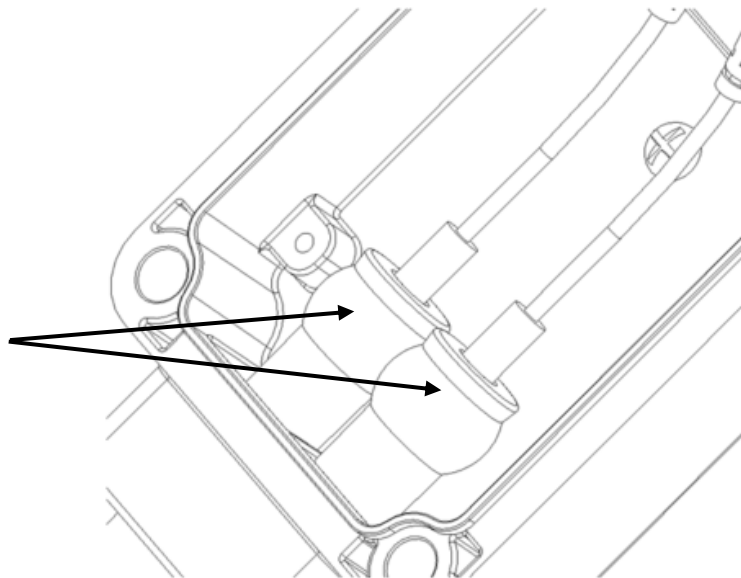
FEED QUICKDRAW CABLE(S) THROUGH THE APPROPRIATE KNOCK-OUT ENSURING ACCESS TO THE CABLE SHROUDS FROM INSIDE THE BASE.



## DEMARCATON UNIT

### Step 7

WRAP 20MM OF ARBOSEAL IN THE RECESS OF EACH OF THE SHROUDS. PULL DOWN ON EACH SHROUD UNTIL SLIGHT RESISTANCE DUE TO ARBOSEAL CONNECTING WITH KNOCK-OUT FACE.

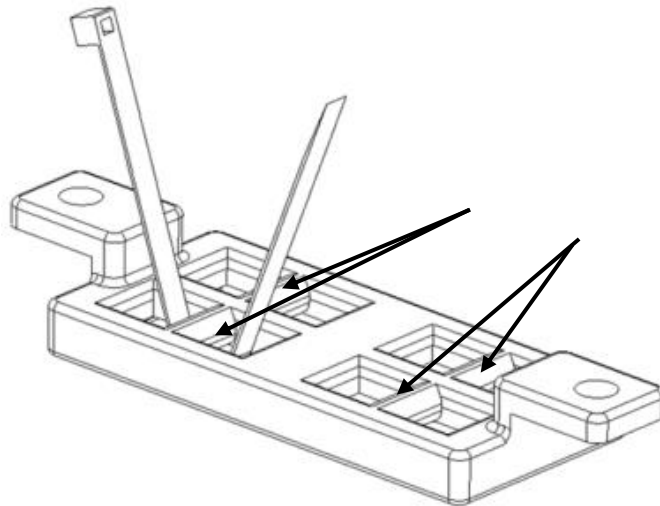




**DEMARCATON UNIT**

**Step 8**

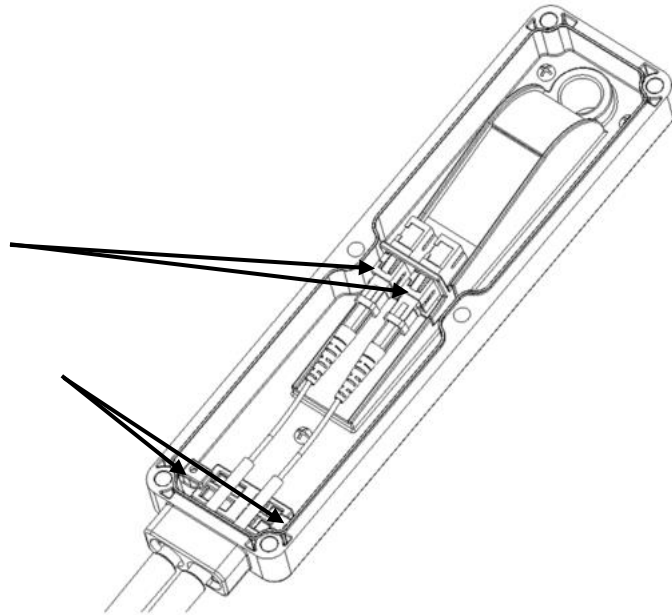
TAKE THE CABLE TIE INSERT AND THREAD FOUR CABLE TIES IN THE FOUR POSITIONS.



**DEMARCATON UNIT**

**Step 9**

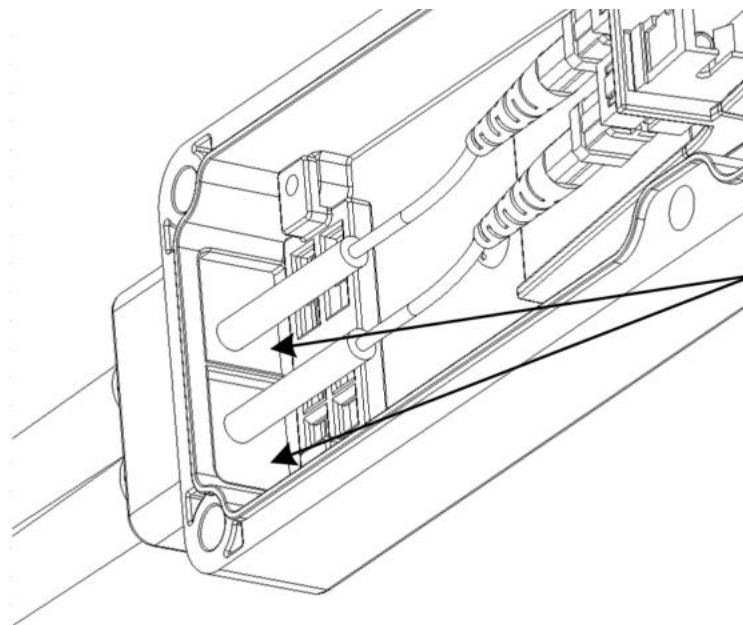
SLIDE CABLE TIE INSERT DOWN BEHIND CABLES AND SECURE USING SCREWS PROVIDED. PLUG THE CONNECTORS INTO ADAPTERS.



## DEMARCATON UNIT

### Step 10

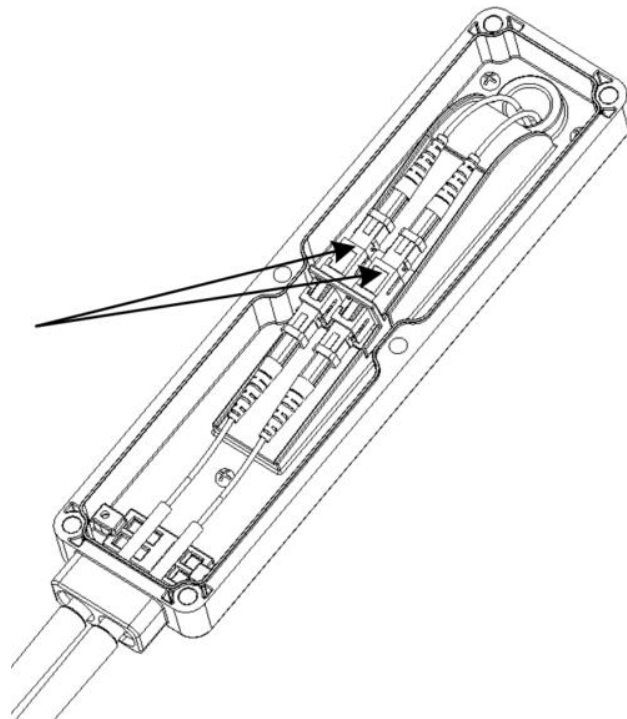
HOLD ON TO THE SHROUD AND PULL GENTLY ON CABLE UNTIL THERE IS NO SLACK. SECURE CABLES WITH CABLE TIES. FILL RESEVOIR WITH RESIN.



**DEMARCATON UNIT**

**Step 11**

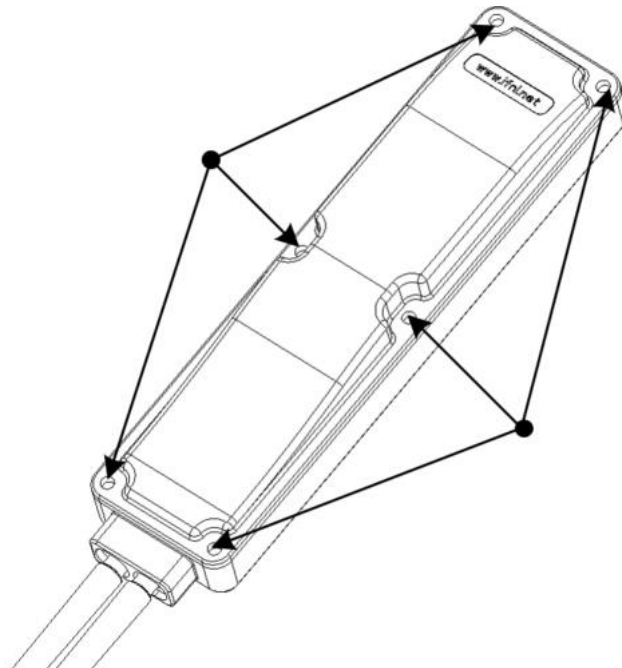
FEED IN THE CUSTOMER PIGTAILS. PLUG THE CONNECTORS INTO THE ADAPTERS.



## DEMARCATIION UNIT

### Step 12

PLACE THE LID ON THE BASE AND FIX USING SECURITY SCREWS PROVIDED.



Copyright Prysmian Group - 2022 You may not copy, reprint, or reproduce in any form the content, either wholly or in part, of this Installation Guide, without the written permission of the copyright owner. Specifications are for product as supplied by Prysmian Group: any modification or alteration afterwards of product may give different result. The information is believed to be correct at the time of issue. Prysmian Group reserves the right to amend the information within this Installation Guide without prior notice. This Installation Guide may include inaccuracies, omissions of content and of information and is not contractually valid unless specifically authorised by Prysmian Group. Property of Prysmian Group UK - Uncontrolled when printed Prysmian Cables & Systems Limited, Chickenhall Lane, Eastleigh, Hampshire, SO50 6YU, United Kingdom.

**PRYSMIAN HELPLINE: + 44 (0) 78161916333**  
[connectivity.help@prysmiangroup.com](mailto:connectivity.help@prysmiangroup.com)

**Page 13 of 13**