

INSTALLATION INSTRUCTION

**OAsys® INTERNAL PLANT
EXTERNAL CSP**
Part Number: XCPSC00282-290

Description

- The External Customer Splice Point (CSP) is designed for use on the outside wall of a small business or residential premise.
- The unit houses a single splice tray and allows fibres from externally fed cables (Blown Fibre or conventional) to be spliced to pigtails for connection to the optical network unit.
- Pigtailed or patch cords are routed through the external wall fabric via a rear entry port and are protected by a 20mm diameter conduit.
- The unit can also be used as a transition point between external and internal fibres.

Tools & Additional Items Required

Additional Items Required:	Prysmian Part No.
None	
Optional Items:	Prysmian Part No.
Resin Pack	XPESC00054
Security Screws	XAGSC00476
Tools:	
Pozidrive Screwdriver, Mallet, 14mm Socket Driver, Cable Stripping tools, Fibre stripping tools, Splicing machine, drill, 6mm drill bit.	

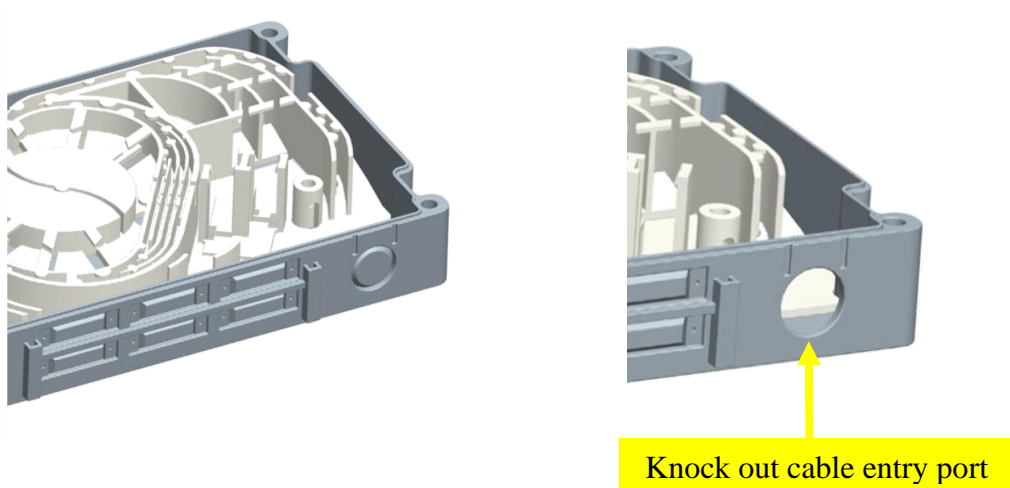
Component Parts (pictures not to scale)

<p>1 External CSP and Fixings Qty 1</p> 	<p>2 Cable Gland Qty 1</p> 	<p>3 Cable Funnel Qty 1</p> 
<p>4 Transport Tube Qty 1</p> 	<p>5 Compound 16 Qty 1</p> 	<p>6 Internal Lead-In Unit Qty 1</p> 
<p>7 Cable Tie Qty 1</p> 	<p>8 Conduit Qty 0.5m</p> 	<p>9 Splice Protectors Qty 1, 2 or 4</p> 

Prysmian
Group
INSTALLATION INSTRUCTION

Box Preparation and Mounting

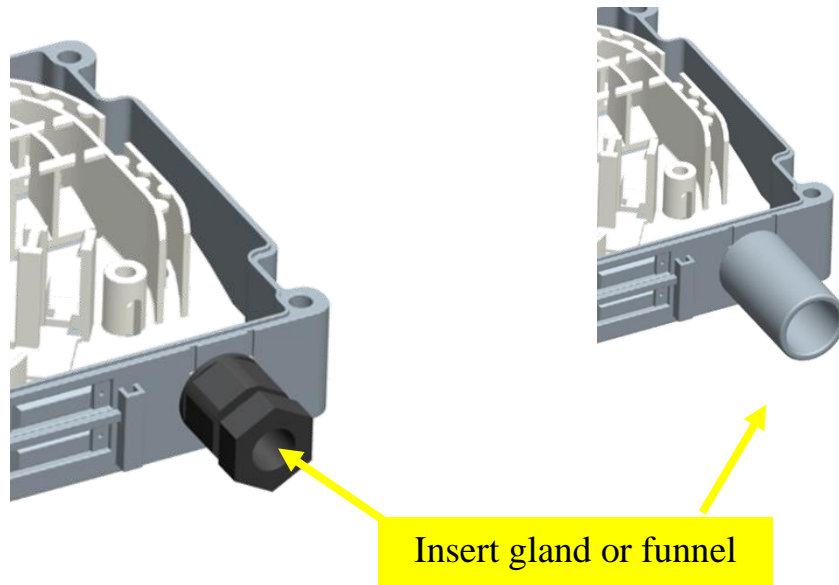
Step 1



- Remove the cover from the External CSP **(1)**.
- Using a 14mm Socket Driver and a Mallet, knock out the cable entry port on the right-hand side of the box. Take care to support the box properly when doing this.

Box Preparation and Mounting

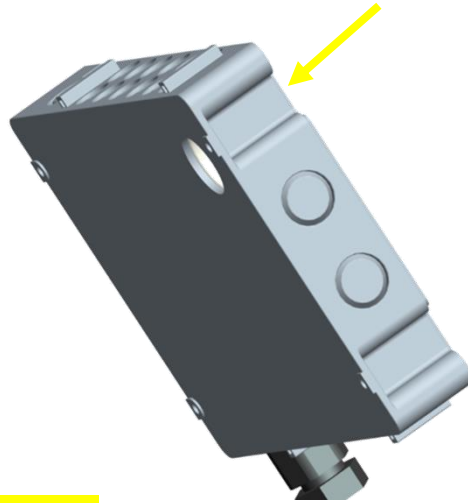
Step 2



- If the input cable is between 8mm and 15mm in diameter, and does not require water/gas blocking, insert the Cable Gland (2) through the port and secure into place by fully tightening the lock nut on the inside of the box.
- If the cable is over 15mm in diameter (up to 20mm), or water/gas blocking is required between the cable elements, insert the funnel (3) through the port of the box. Secure the funnel to the box using the lock nut supplied with the Cable Gland (2).

Box Preparation and Mounting

Step 3



Knock out rear port

- Knock out the rear port of the box from the inside using a 14mm Socket Driver and a mallet.

Box Preparation and Mounting

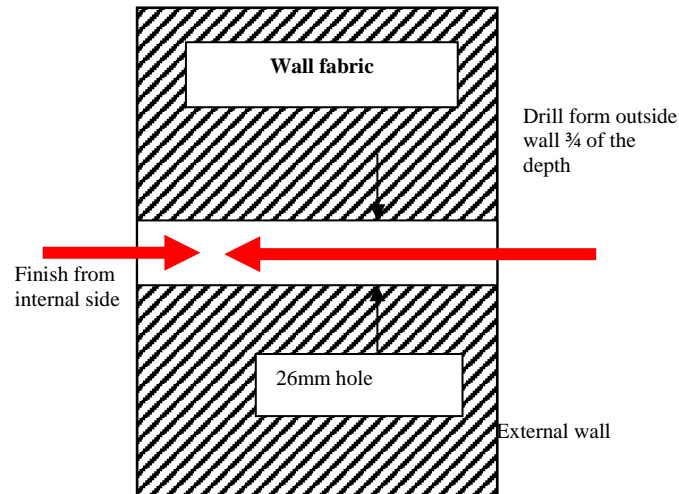
Step 4



- Identify a suitable mounting position for the box.
- Hold the box to the wall and mark the position of the hole through the wall.
- Mark and drill a pilot hole completely through the wall for the conduit using a 6mm drill bit.

Box Preparation and Mounting

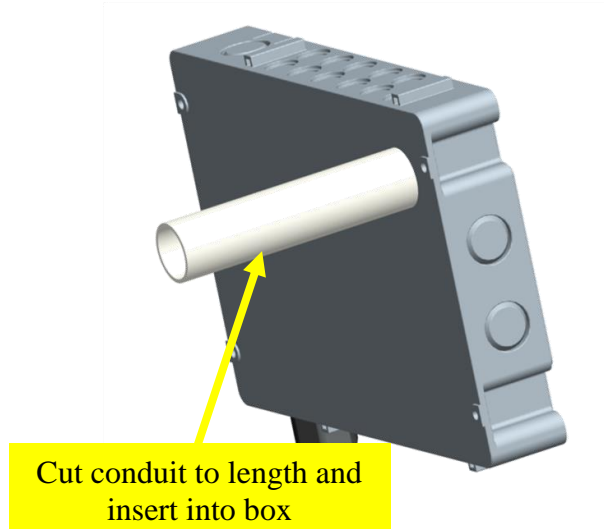
Step 5



- From the outside wall, enlarge the pilot hole to 26mm in diameter, but do not drill completely through the wall.
- Go to the inside of the building and complete the enlargement of the hole to 26mm in diameter.

Box Preparation and Mounting

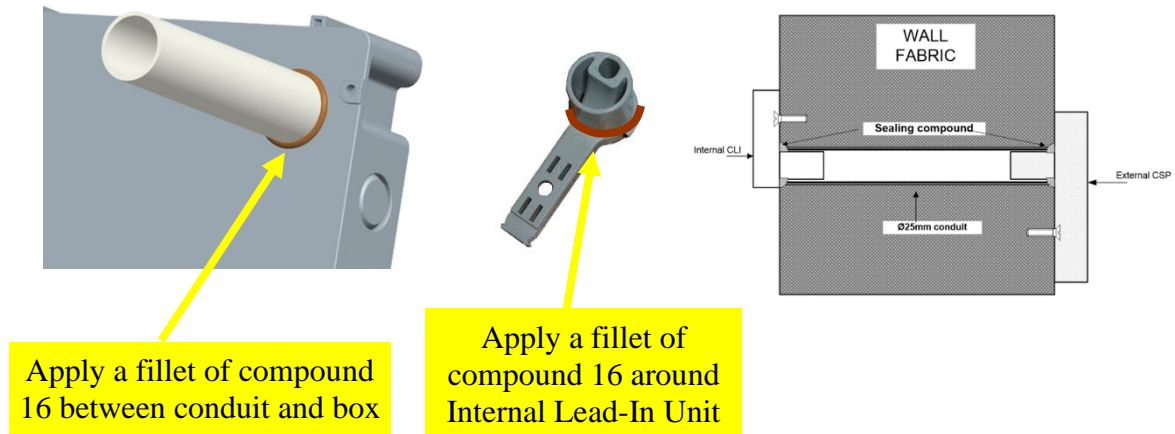
Step 6



- Insert the conduit into the back of the box and feed it through the wall. Position the box on the wall.
- Mark the position of the four fixing holes for the box.
- On the inside wall mark the conduit flush with the wall.
- Remove the box and apply a second mark to the conduit approximately 10mm from the first mark towards the box. Cut the conduit to length at this mark.
- Drill the four fixing holes using a 6mm drill bit.

Box Preparation and Mounting

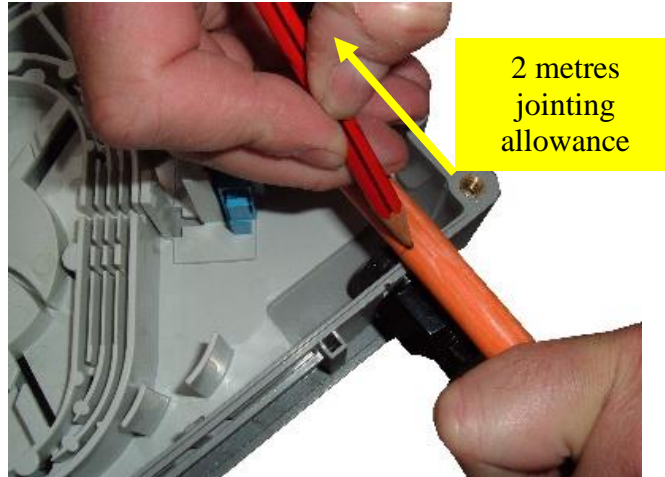
Step 7



- Apply a fillet of Compound 16 **(5)** between the conduit and the box to seal any gaps as shown above.
- Push the conduit through the wall and mount the box to the wall using the Fixing Screws and Wall Plugs supplied.
- Working on the inside of the building, apply a small fillet of compound 16 around the base of the Internal Lead In unit **(6)**.
- Push the Lead-In Unit into the conduit and mark the position of the fixing hole. Drill the hole using a 6mm drill bit and insert a wall plug. Do not secure the Internal Unit to the wall at this stage as its easier to do this later when installing pigtails or patch cords.

Cable Installation

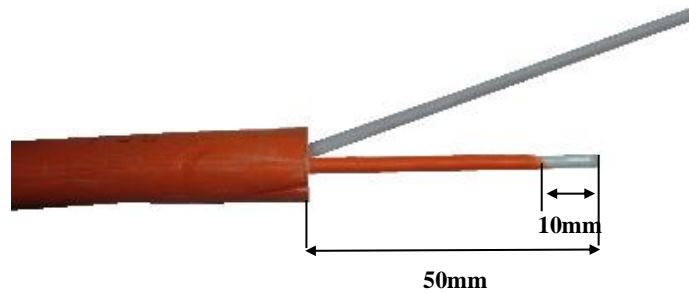
Step 8



- At the outside wall, mark a butt position on the input cable level with the top of the cable gland. Allow a further 2 metres for the jointing allowance for conventional cables and a further 200mm for a Blown Fibre cable.

Cable Installation

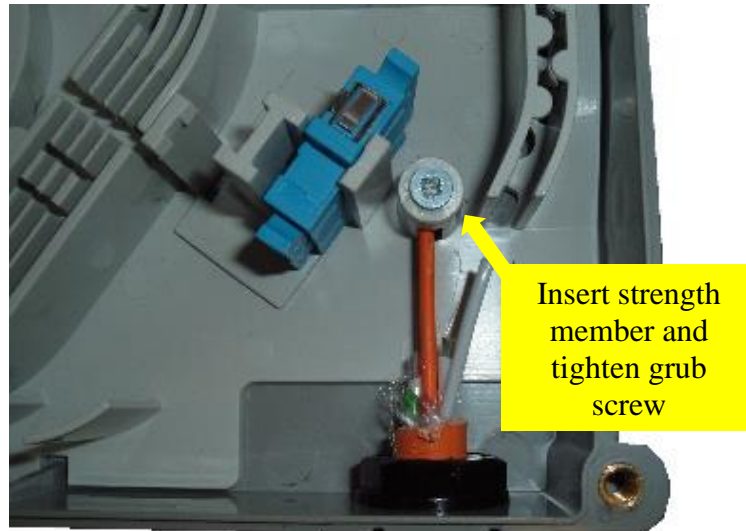
Step 9



- Strip the cable sheath to expose the cable elements and remove any tapes or binders.
- For conventional cables, cut the central strength member to 50mm in length.
- Remove the sheath from the strength member back 10mm.

Cable Installation

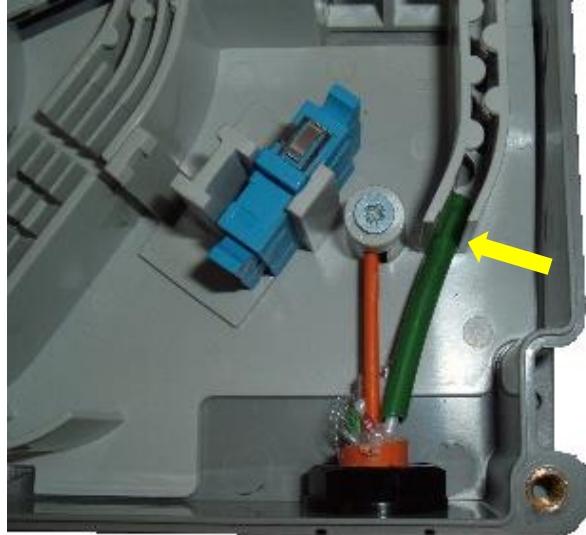
Step 10



- Insert the cable through the gland and locate the strength member into the strength member retaining clamp. Fully tighten the grub screw to lock the cable into place.
- Fully tighten the Cable Gland (2) to seal and anchor the cable to the box.

Cable Installation

Step 11

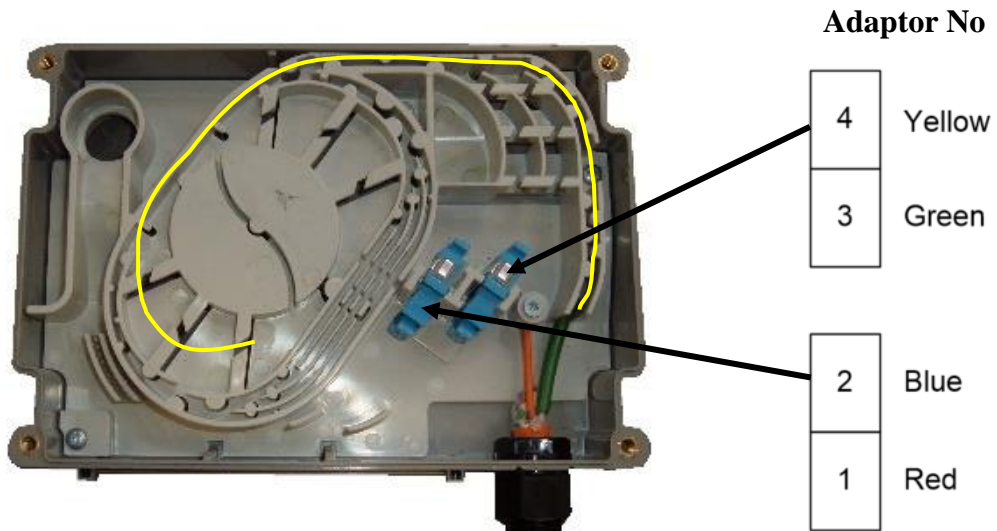


- Cut a length of transport tube (4) to 40mm in length.
- Strip the cable element to expose the fibres approximately 30mm from the cable butt.
- Over sleeve the cable element with the transport tube and push the tube down into the grip on the end of the track as shown.

Prysmian
Group
INSTALLATION INSTRUCTION

Cable Installation

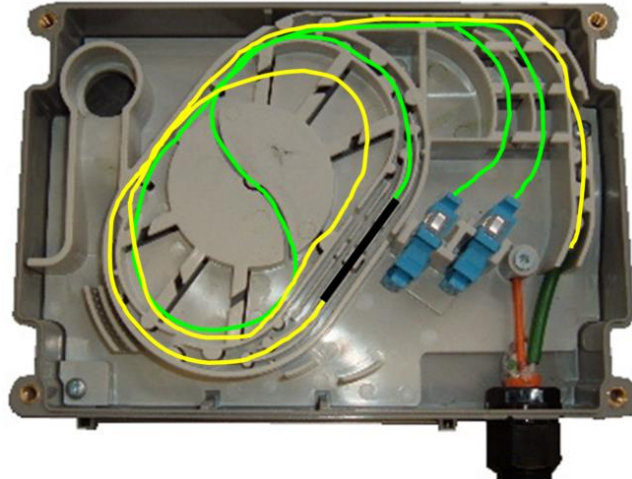
Step 12



- Run the fibres around the track and onto the splice tray.
- Identify the required pigtail to splice the fibre to using the diagram above.

Cable Installation

Step 13

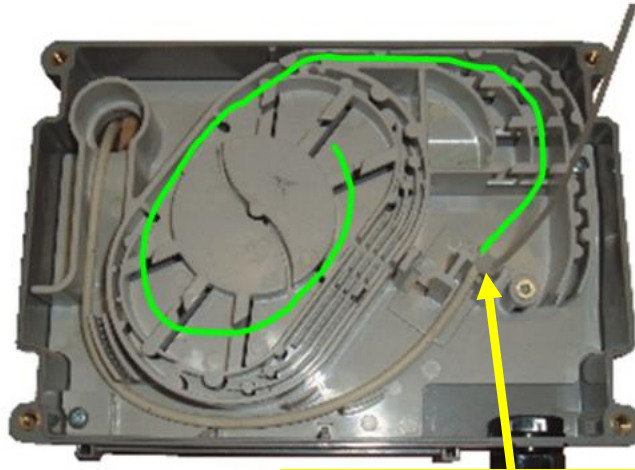


Splice the fibres to the pigtails

- Run the fibres around the track and onto the splice tray.
- Identify the required pigtail to splice the fibre to using the diagram above.

Cable Installation

Step 14



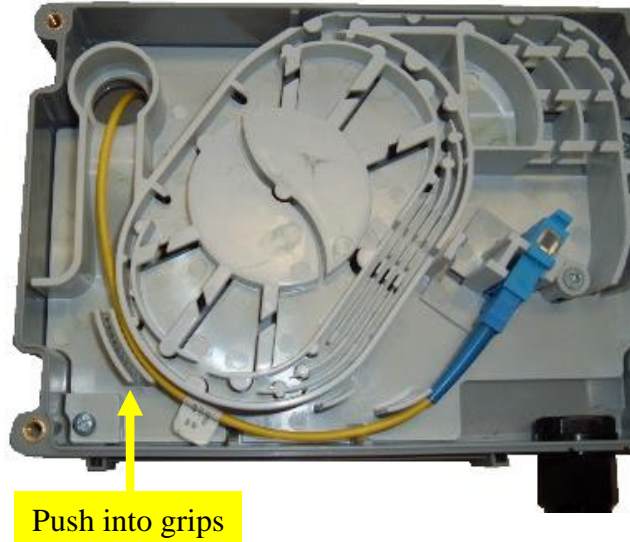
Secure the cable using a cable tie around the bar

For conventional cables or Blown Fibre cables:

- Feed the cable through the conduit and into the building.
- Secure the cable at the butt using a cable tie in the position shown above.
- Route the fibres through the track and onto the splice tray and splice them to the input cable fibres.

Cable Installation

Step 15

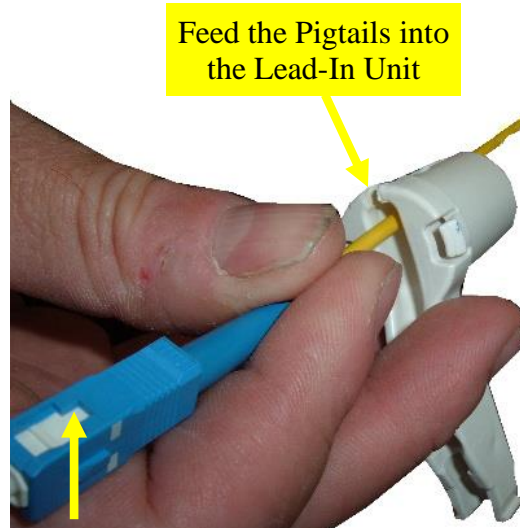


For pigtails or patch cords:

- If used, ensure that the small Cable Lead-In Unit at the inside of the building is not in the conduit (removed).
- Connect the pigtail or patch cord into the connector as shown above.
- Feed the other end through the conduit and route the cable around the bend manager as shown above.
- Push the cable into the grips as shown.

Cable Installation

Step 16



At the inside of the building:

- Feed the pigtails or patch cords into the slot in the top of the Lead-In Unit.
- Push the Lead-In Unit back into the conduit and secure it to the wall.

Cable Installation

Step 17

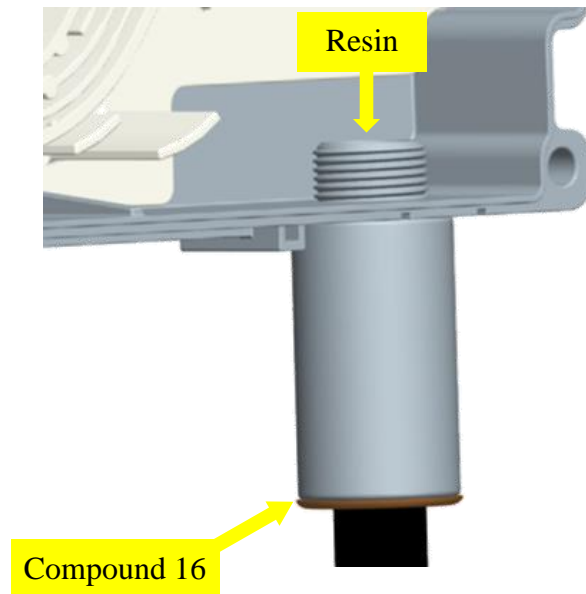
Fit the Lead-In Cover



- Fit the cover onto the Lead-In Unit and route the pigtails or patch cords to the appropriate equipment.

Cable Installation

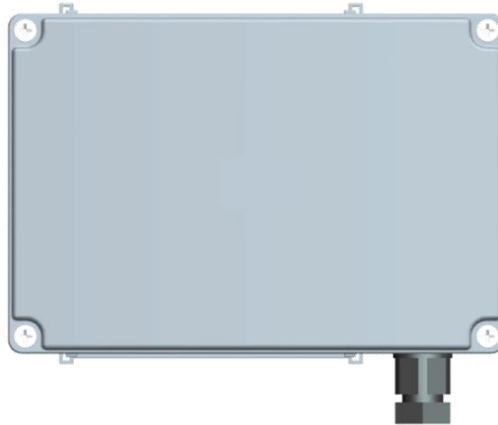
Step 18



- If the funnel has been used and water/gas blocking is required, use the Compound 16 (5) at the bottom of the funnel to temporarily seal between the cable and the funnel.
- Fill the funnel with resin (supplied separately – Part No. XPESC00054) to seal the cable. Allow 15 minutes for the resin to set.

Cable Installation

Step 19



Replace Cover

- Replace the cover of the External Box and secure by tightening the four screws.



Clean before you connect.

It is important that all fibre connectors and adapters are cleaned prior to mating using approved local practice. Failure to clean may result in either poor signal performance and/or permanent damage to the connector end faces.