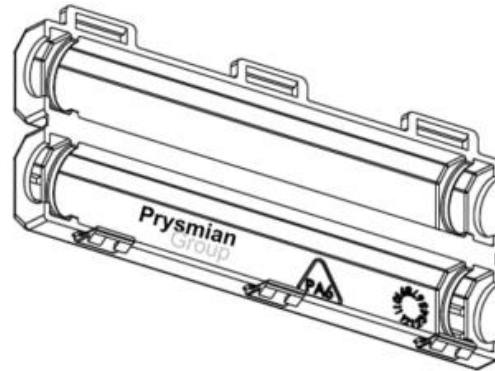


## VERTICASA PROTECTION COVER IP55 AND IP68



PART NO:	DESCRIPTION	QTY
XJTSC03139 (Pack of 10)	Verticasa Protection Cover Ext Plastic Cable	1
	Sponge	2
	Cable Ties (2.5x100mm)	2
XJTSC03140 (Pack of 10)	Verticasa Protection Cover Ext Plastic Case	1
	Sheath Self Fuse Tape	1
	Butile Sealing Strips	2
	Cable Ties (2.5x100m)	2

ADDITIONAL ACCESSORIES:	PART NO:
TBE-I2: Tapping Box Facade Inline 2 drops IP55 with trays (Pack of 10)	XJTSC03137
TBE-I2: Tapping Box Facade Inline 2 drops IP55 without trays (Pack of 10)	XJTSC03138
VERTICASA CABLE STRIPPING TOOL (VST)	XCPSC00567
VERTICASA STRIPPING TOOL COMPACT 2.0	XCPSC03277

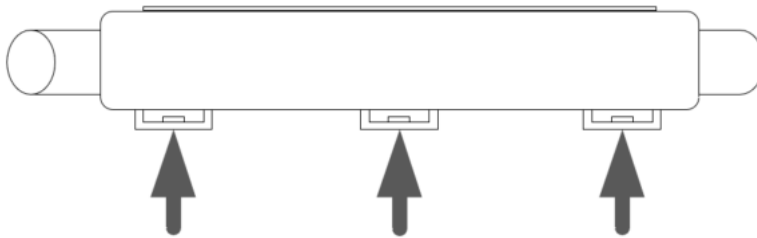
## VERTICASA PROTECTION COVER IP55 AND IP68

### OPENING A WINDOW IN THE CABLE



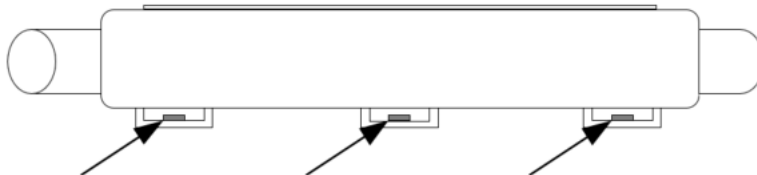
Open a 70-80mm window in the multi fibre cable using a recommended cable opening tool.

### COVER CLOSURE



Close the cover by pressing by hand at the three locks. A “CLICK” should be heard when the clips move in position.

### COVER OPENING



To open the cover, release the three clips by rotating a small screwdriver in the cut-outs inside the clips.

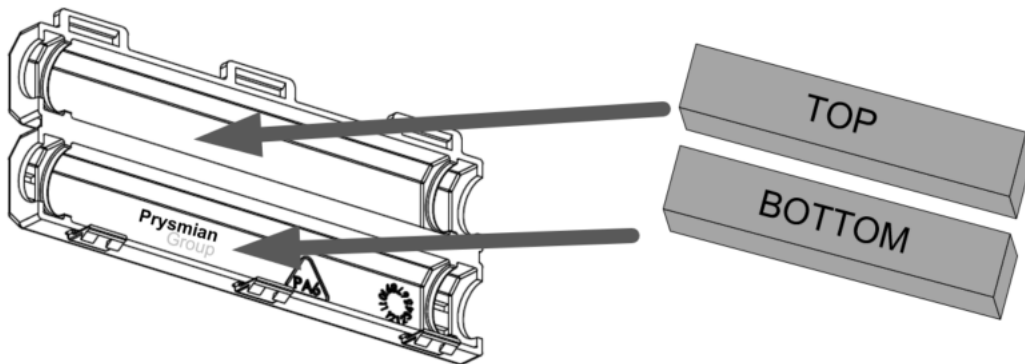
Alternatively, a tie wrap can be pushed in the cut-outs inside the clips and lever the clips.

(The release must be done at all three clips).

## VERTICASA PROTECTION COVER IP55 AND IP68

### Step 1

#### XJTSC02822 VERSION IP55 (FACADE)



Insert the two rectangular foam blocks in the base and in the cover.

If cable Diameter is bigger than 11.5mm, DON'T INSTALL BOTTOM FOAM.

## VERTICASA PROTECTION COVER IP55 AND IP68

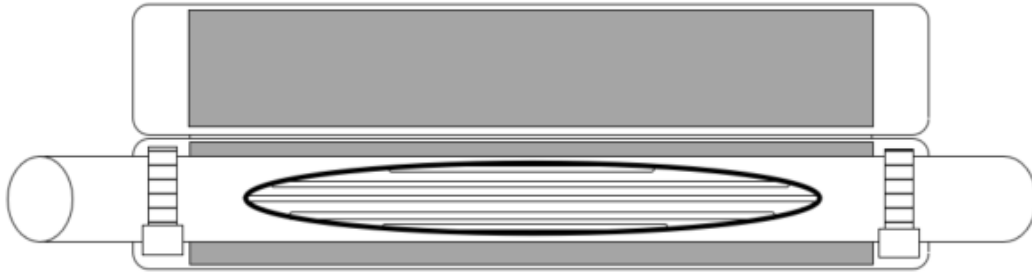
### Step 2



Insert two cable ties in the sides of the base. Check whether the head of the cable ties will fit inside the cover when closed.

## VERTICASA PROTECTION COVER IP55 AND IP68

### Step 3



Place the cover behind the cable and tighten the cable ties.

## VERTICASA PROTECTION COVER IP55 AND IP68

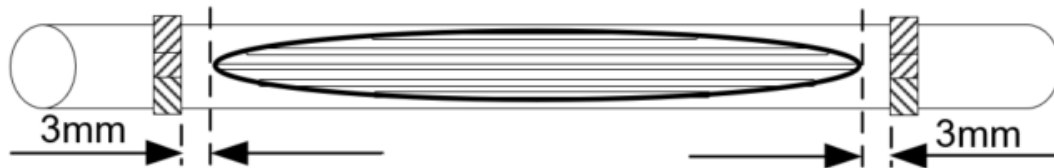
### Step 4

To close and re-open follow the instructions on the left column.

## VERTICASA PROTECTION COVER IP55 AND IP68

### Step 1

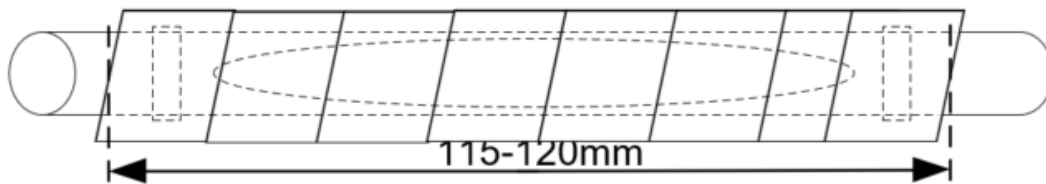
#### XJTSC02823 VERSION IP68 (WATERTIGHT)



Apply the Butile Sealing Strips 3mm next to the cable window opening. Pay attention that the sealing strips make a complete turn around the cable with an overlap of at least 5mm.

## VERTICASA PROTECTION COVER IP55 AND IP68

### Step 2



Apply the Sheath Self Fuse tape two times (forwards and backwards). The tape must be applied over a length of 115-120mm. Pay attention that the window opening of the cable is fully covered and the Butile sealing strips are centred under the looped tape.



## VERTICASA PROTECTION COVER IP55 AND IP68

### Step 3



Insert two cable ties in the sides of the base. Check whether the head of the cable ties will fit inside the cover when closed.

## VERTICASA PROTECTION COVER IP55 AND IP68

### Step 4



Place the cover behind the cable and tighten the cable ties.  
Pay attention that the part of the cable wrapped by the Sheath Self Fuse tape is centred under the cover.

## VERTICASA PROTECTION COVER IP55 AND IP68

### Step 5

To close and re-open follow the instructions on the left column.

Copyright Prysmian Group - 2023 You may not copy, reprint, or reproduce in any form the content, either wholly or in part, of this Installation Guide, without the written permission of the copyright owner. Specifications are for product as supplied by Prysmian Group: any modification or alteration afterwards of product may give different result. The information is believed to be correct at the time of issue. Prysmian Group reserves the right to amend the information within this Installation Guide without prior notice. This Installation Guide may include inaccuracies, omissions of content and of information and is not contractually valid unless specifically authorised by Prysmian Group. Property of Prysmian Group UK - Uncontrolled when printed Prysmian Cables & Systems Limited, Chickenhall Lane, Eastleigh, Hampshire, SO50 6YU, United Kingdom.

**PRYSMIAN HELPLINE: + 44 (0) 78161916333**  
[connectivity.help@prysmiangroup.com](mailto:connectivity.help@prysmiangroup.com)

**Page 11 of 11**