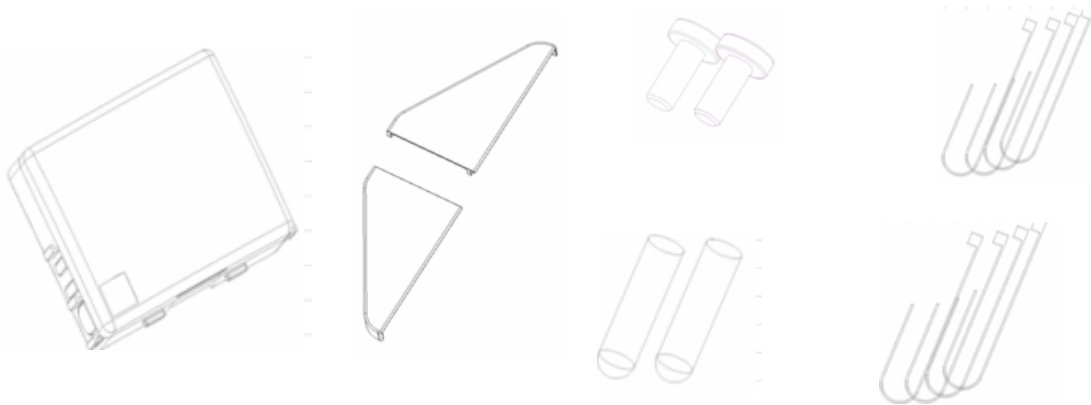


VERTICASA INTERNAL TRANSITION BOX

KIT CONTENTS

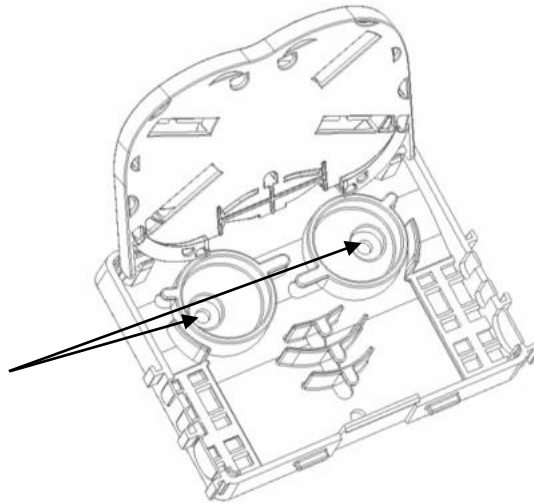


PART No.:	DESCRIPTION	QTY
XCPSG00378	BASE – VERTICASA ITB	1
XCPSG00373	COVER – VERTICASA ITB	1
XCPSG00374	SPLICE TRAY – VERTICASA ITB	1
XCPSG00396	LEFT HAND PROTECTION COVER	1
XCPSG00397	RIGHT HAND PROTECTION COVER	1
XXXBP00009	CABLE TIE	8
TRAD77010	WALL PLUGS	2
20084	FIXING SCREWS	2

VERTICASA INTERNAL TRANSITION BOX

Step 1

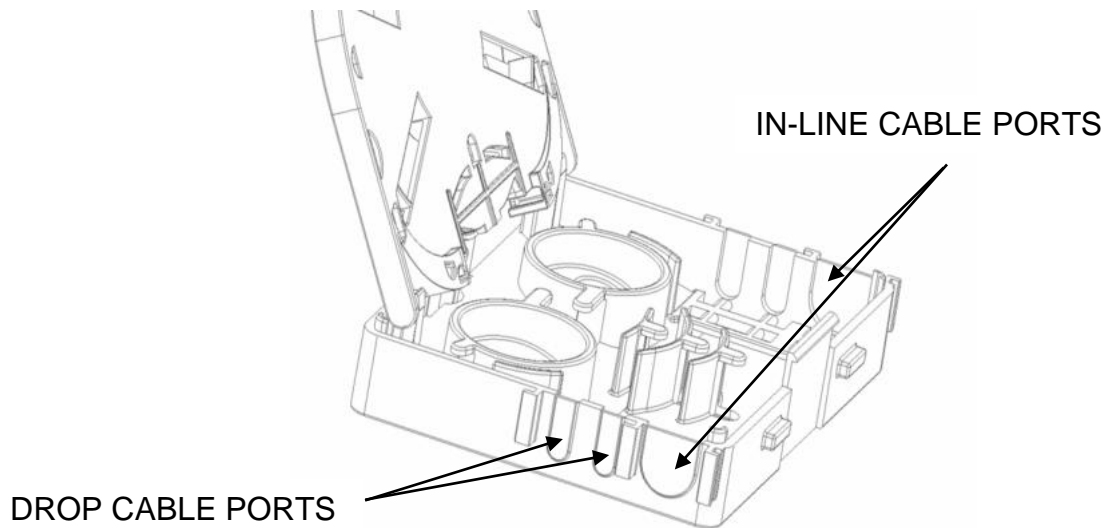
REMOVE THE COVER AND HINGE UP THE SPLICE TRAY. MOUNT THE UNIT TO THE WALL USING THE TWO MOUNTING POSITIONS SHOWN.



VERTICASA INTERNAL TRANSITION BOX

Step 2

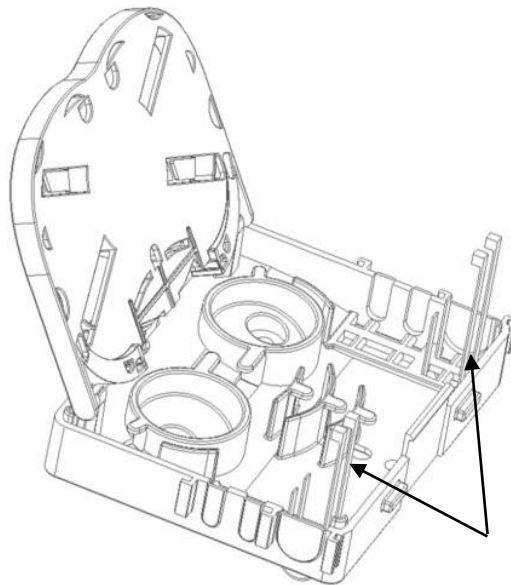
BREAKOUT THE IN-LINE CABLE ENTRY PORTS USING A PAIR OF LONG NOSE PLIERS. AT THIS STAGE ALSO BREAKOUT ANY DROP CABLE PORTS REQUIRED.



VERTICASA INTERNAL TRANSITION BOX

Step 3

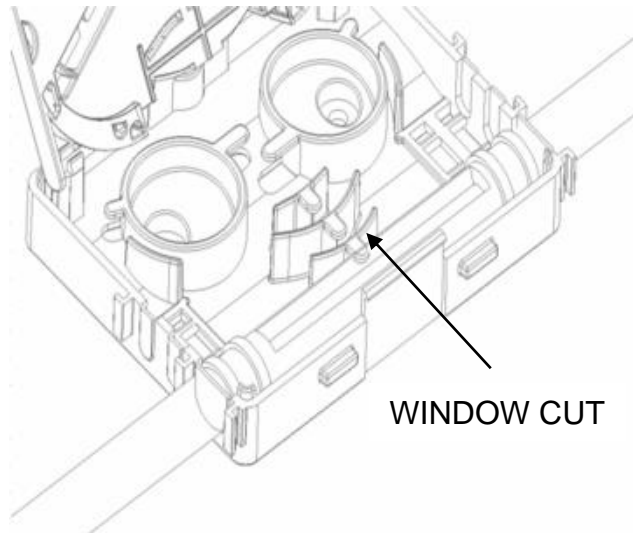
INSERT FOUR CABLE TIES THROUGH THE SLOTS IN THE FLOOR FOR THE IN-LINE CABLE AS SHOWN. PREPARE THE IN-LINE CABLE AND CUT A WINDOW 80mm LONG USING THE VERTICASA TOOL.



VERTICASA INTERNAL TRANSITION BOX

Step 4

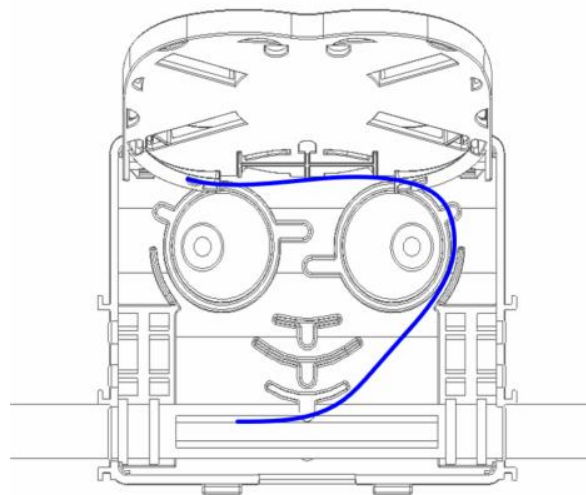
POSITION THE CABLE INTO THE BASE OF THE UNIT AND SECURE IT USING THE FOUR CABLE TIES. ENSURE THE WINDOW CUT IS IN THE CENTRE OF THE BOX.



VERTICASA INTERNAL TRANSITION BOX

Step 5

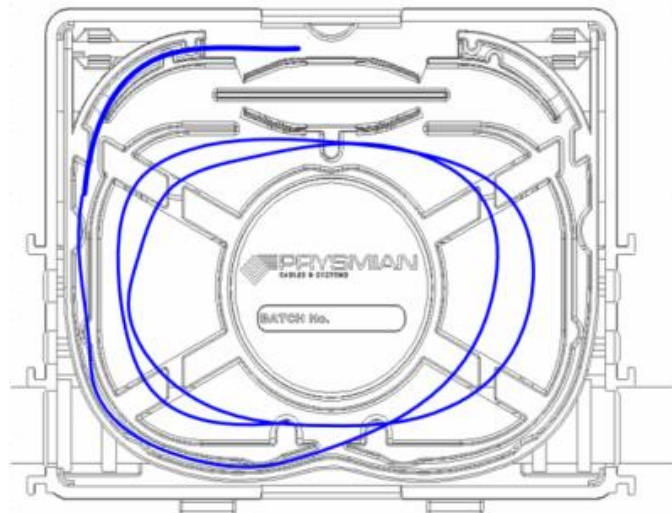
ACCESS AND CUT THE REQUIRED FIBRE ELEMENT. PULL SLACK THROUGH AND ROUTE THE FIBRE ONTO THE SPLICE TRAY AS SHOWN.



VERTICASA INTERNAL TRANSITION BOX

Step 6

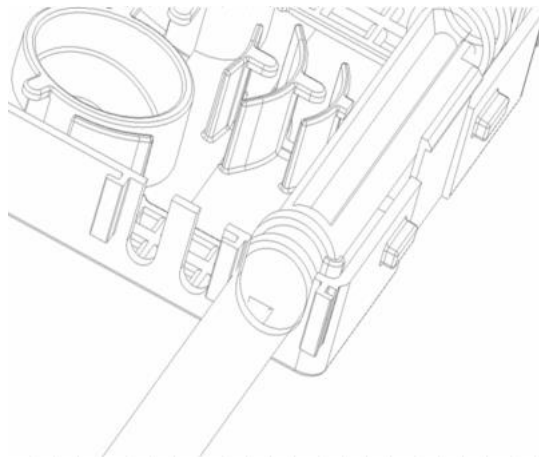
HINGE DOWN THE SPLICE TRAY AND CONTINUE ROUTING THE FIBRE ONTO THE TRAY. STRIP THE COATING FROM THE FIBRE ELEMENT AT THE POINT SHOWN AND ROUTE THE BARE FIBRE ANTI-CLOCKWISE AROUND THE TRAY TO STORE.



VERTICASA INTERNAL TRANSITION BOX

Step 7

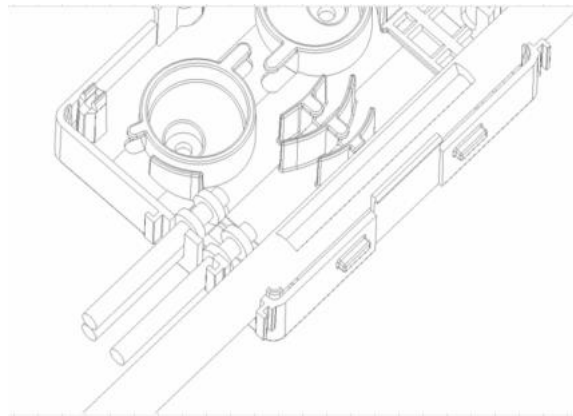
BREAKOUT THE DROP CABLE PORTS AS REQUIRED AND INSERT TWO CABLE TIES THROUGH THE POSITIONS IN THE BASE FOR EACH CABLE.



VERTICASA INTERNAL TRANSITION BOX

Step 8

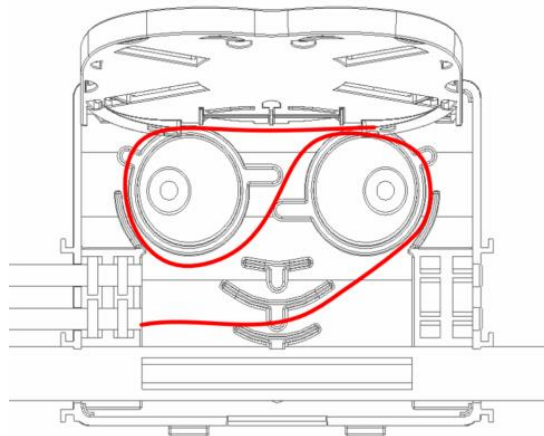
PREPARE THE DROP CABLES AND CABLE TIE INTO THE BOX IN THE POSITIONS SHOWN. IF TWO CABLES ARE REQUIRED IN A PORT STRAP THEM TOGETHER USING THE CABLE TIES.



VERTICASA INTERNAL TRANSITION BOX

Step 9

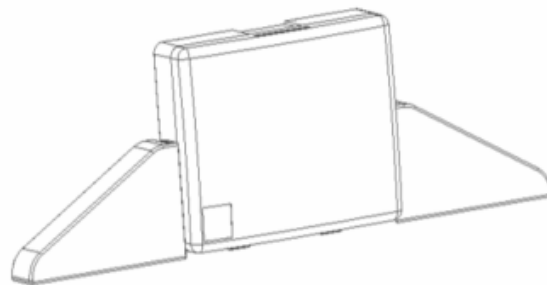
ROUTE THE FIBRES FROM THE DROP CABLE ONTO THE SPLICE TRAY AND SPLICE TO THE IN-LINE CABLE FIBRE. REVERSE THE FIBRE IF ITS COMING IN THE SAME DIRECTION AS THE CABLE FIBRE AS SHOWN.



VERTICASA INTERNAL TRANSITION BOX

Step 10

IF REQUIRED FIT THE LEFT AND RIGHT-HAND PROTECTION COVERS TO COVER THE CABLES BY SLOTTING THEM ONTO THE BASE OF THE BOX.



Copyright Prysmian Group - 2022 You may not copy, reprint, or reproduce in any form the content, either wholly or in part, of this Installation Guide, without the written permission of the copyright owner. Specifications are for product as supplied by Prysmian Group: any modification or alteration afterwards of product may give different result. The information is believed to be correct at the time of issue. Prysmian Group reserves the right to amend the information within this Installation Guide without prior notice. This Installation Guide may include inaccuracies, omissions of content and of information and is not contractually valid unless specifically authorised by Prysmian Group. Property of Prysmian Group UK - Uncontrolled when printed Prysmian Cables & Systems Limited, Chickenhall Lane, Eastleigh, Hampshire, SO50 6YU, United Kingdom.

PRYSMIAN HELPLINE: + 44 (0) 78161916333
connectivity.help@prysmiangroup.com