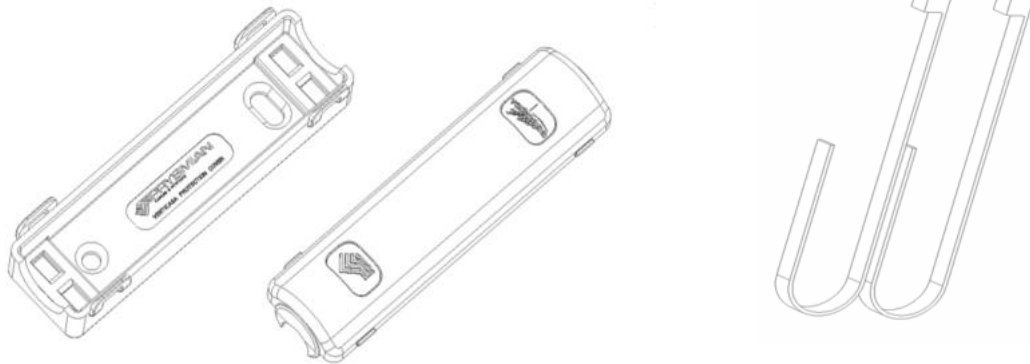


VERTICASA PROTECTION COVER

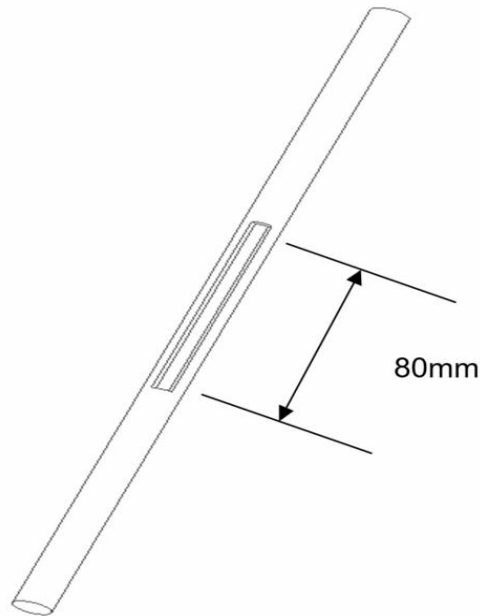
KIT CONTENTS



PART No.:	DESCRIPTION	QTY
XCPSP00442	BASE – VERTICASA PROTECTION COVER	1
XCPSP00443	COVER – VERTICASA PROTECTION COVER	1
XXXBP00944	CABLE TIE	2
ADDITIONAL ACCESSORIES:		PART No.:
VERTICASA STRIPPING TOOL 12 FIBRE		XCPSC00567
VERTICASA STRIPPING TOOL 24/48 FIBRE		XCPSC00568

VERTICASA PROTECTION COVER

Step 1



STRIP AN 80mm WINDOW IN THE CABLE TO ACCESS THE FIBRE MODULES USING A VERTICASA STRIPPING TOOL. ACCESS THE REQUIRED FIBRE MODULES AND CUT.

VERTICASA PROTECTION COVER

Step 2



TAKE THE TWO CABLE TIES AND INSERT THEM THROUGH THE SLOTS IN THE BASE.

VERTICASA PROTECTION COVER

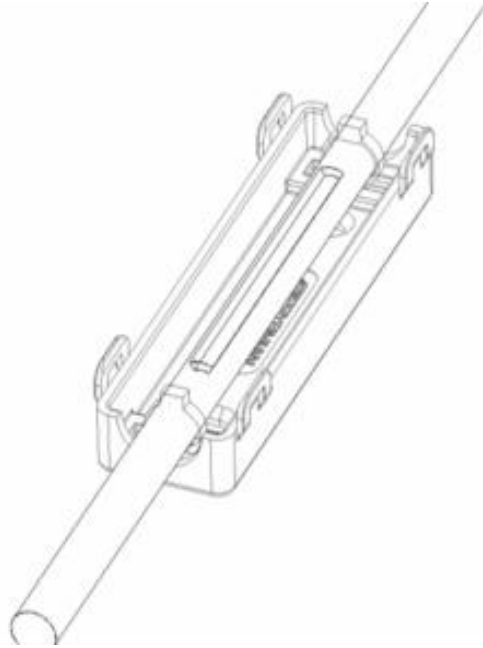
Step 3



POSITION THE BASE OF THE BOX AROUND THE CABLE SO THAT THE WINDOW CUT IS IN THE CENTRE OF THE BASE.

VERTICASA PROTECTION COVER

Step 4



FULLY TIGHTEN THE CABLE TIES TO SECURE THE CABLE TO THE BASE OF THE BOX.

VERTICASA PROTECTION COVER

Step 5

DETERMINE THE SIZE OF THE VERTICASA CABLE AS BELOW:

FOR 12 FIBRE VERTICASA CABLES INSTALL THE COVER AS IT IS SUPPLIED.



FOR 24 AND 48 FIBRE VERTICASA CABLES, BREAK OFF THE END DUST COVER USING A PAIR OF LONG NOSE PLIERS.



VERTICASA PROTECTION COVER

Step 6

FIT THE COVER BY LINING UP AND SNAPPING INTO PLACE.

